

NX18

NX series blowers due to their innovative design offer many advantages to the end user. The NX series blowers can be used as a direct replacement for most SN series blowers allowing a simple upgrade solution while minimizing downtime.

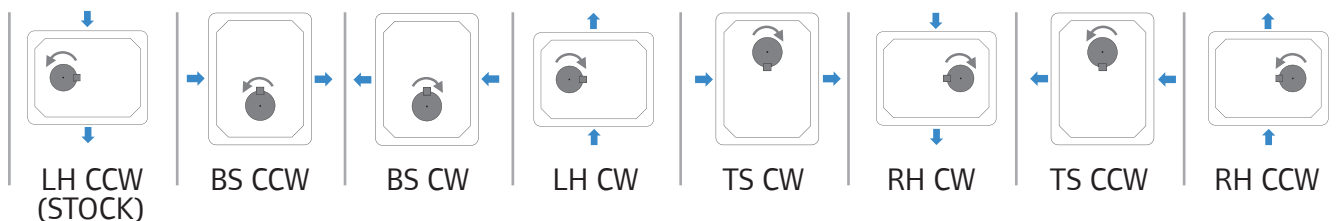
NX series features

- Three lobe impellers
- Drop-in replacement of the SN series blowers
- Pre-set internal clearances
- Large capacity oil sump
- High flow oil thrower disc
- Set of standardized spare parts

Benefits

- Reliability and durability
- Ease of maintenance and pre-set clearances for reassembly
- Efficient Design, lower discharge temperatures
- Better bearing lubrication
- Less frequent oil changes

Configurations



Configuration	With feet option	Without feet
LH CCW	F0161 501 001	F0161 501 00
BS CCW	F0161 501 101	F0161 501 10
BS CW	F0161 501 111	F0161 501 11
LH CW	F0161 501 011	F0161 501 01
TS CW	F0161 501 211	F0161 501 21
RH CW	F0161 501 311	F0161 501 31
TS CCW	F0161 501 201	F0161 501 20
RH CCW	F0161 501 301	F0161 501 30

- ↻ Shaft rotation
- ➡ Air flow
- RH = Right hand shaft
- LH = Left hand shaft
- BS = Bottom shaft
- TS = Top shaft
- CW = Clockwise rotation
- CCW = Counter clockwise rotation

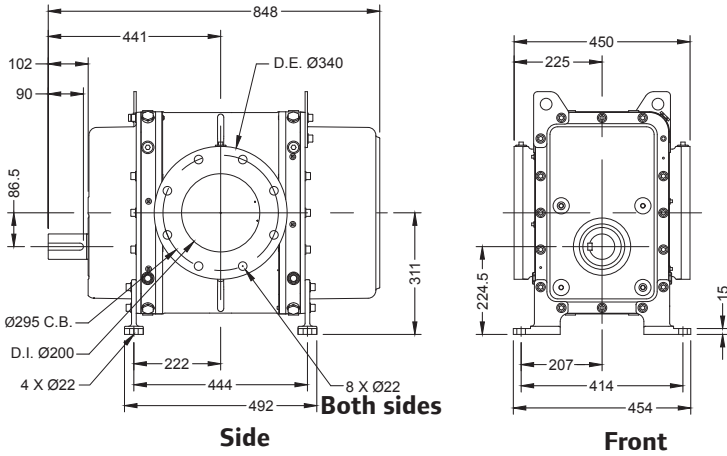
Performance chart

20 °C / 36%RH / 1013.25 Mbar

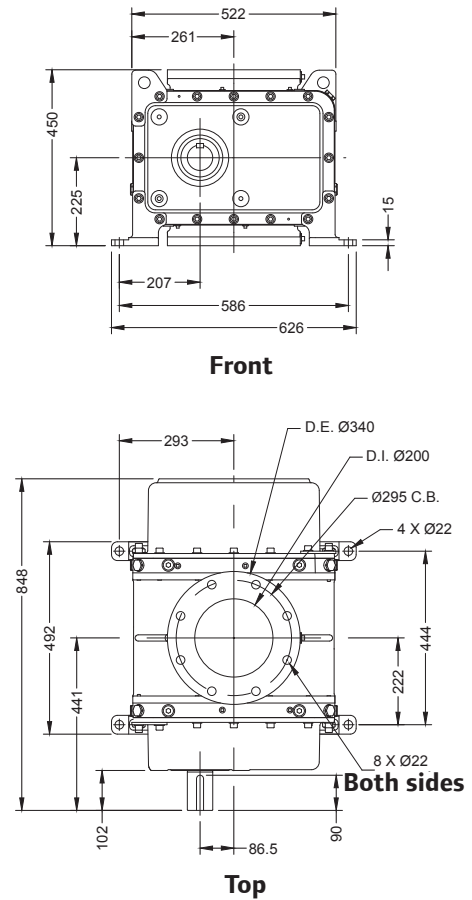
Speed (rpm)	PRESSURE (MB)									
	200		400		600		800		1 000	
	M ³ /h	KW	M ³ /h	KW	M ³ /h	KW	M ³ /h	KW	M ³ /h	KW
850	669	7,6	570	10,9	494	16,3	430	21,8	374	27,2
1100	924	9,8	820	14,1	740	21,2	672	28,2	613	35,3
1350	1179	12,1	1069	17,3	985	26,0	915	34,6	852	43,3
1600	1433	14,3	1319	20,5	1231	30,8	1157	41,0	1092	51,3
1850	1688	16,5	1568	23,7	1476	35,6	1399	47,4	1331	59,3
2100	1943	18,8	1818	26,9	1722	40,4	1641	53,9	1570	67,3
2350	2197	21,0	2067	30,1	1968	45,2	1883	60,3	1809	75,3
2600	2452	23,2	2317	33,3	2213	50,0	2126	66,7	2049	83,3
2850	2707	25,5	2566	36,5	2459	54,8	2368	73,1	2288	91,4
3100	2961	27,7	2816	39,7	2704	59,6	2610	79,5	2527	99,4

NX18 Dimensions

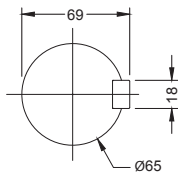
Vertical gears



Horizontal gears



Shaft details



- Notes:
 1. English units (mm) unless otherwise noted.
 2. Weight : 420 kg
 3: Do not use for construction

Spare parts

KIT 1 - STANDARD MAINTENANCE KIT	KIT 2 - SET OF RING HOLDERS	KIT 3 - SET OF GEARS	SIGHT GLASS	HIBON LUBE
<p>Contains all parts required for 40000 h. maintenance.</p>				

For more information about spares and accessories, contact your nearest Service Center or Ingersoll Rand - HiBON company.

Compressed Air Systems and Services
 Hibon Inc
 100 Voyageur Pointe Claire, Quebec
 Canada, H9R 6A8
 Tel: +1 514 631-3501
 Fax: +1 877 584 0307
 www.hibon.com www.ingersollrand.com

Ingersoll Rand Air Solutions Hibon®
 2 avenue Jean-Paul Sartre, 59290 WASQUEHAL France
 Tel +33 (0) 3 20 45 39 45 (ligne directe)
 Fax +33 (0) 3 20 45 39 20 (Fax Service)
 email: hibon@irco.com

Ingersoll Rand (NYSE:IR) advances the quality of life by creating comfortable, sustainable and efficient environments. Our people and our family of brands—including Club Car®, Ingersoll Rand®, Thermo King® and Trane®—work together to enhance the quality and comfort of air in homes and buildings; transport and protect food and perishables; and increase industrial productivity and efficiency. We are a \$13 billion global business committed to a world of sustainable progress and enduring results.



ingersollrandproducts.com - hibon.com
 We are committed to using environmentally conscious print practices