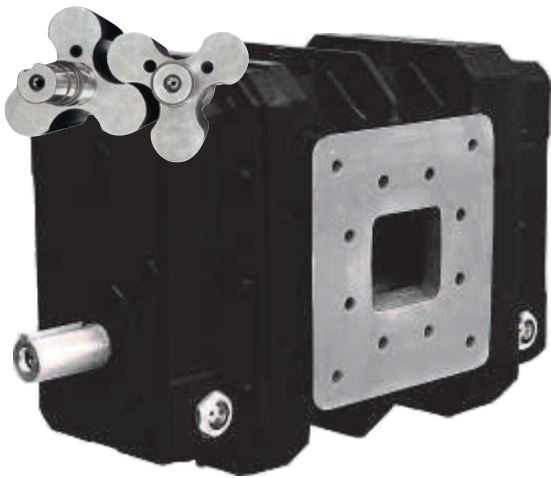


TS.XL Series Drybulk Truck Blower

With over a century of experience in manufacturing positive displacement blowers, Ingersoll Rand, the worldwide leader in Three-Lobe technology, has developed a complete range of heavy-duty industrial units designed specifically for the toughest dry bulk transfer applications.



Dry Bulk Transfer Solutions

Ingersoll Rand TS.XL blowers integrate state-of-the-art Three-Lobe technology with a rugged compact design engineered specifically for the most demanding truck and transfer applications : flour, animal food, pellets.

Easy to install

TS.XL was designed for ease of installation and can accommodate virtually any dry bulk transfer vehicle.

Three-Lobe Design

Superior performance and quiet operation together with unsurpassed reliability make TS.XL the blower of choice with fleet managers to operators in the dry bulk transfer industry . TS.XL is also pressure and vacuum capable.

Quiet, efficient operation

The combined action of Three-Lobe impellers and pulsation control ports delivers superior noise attenuation performance. TS.XL noise levels are typically 10 dB lower than two lobe competitors.

Range

Blowers	Free air delivery* maxi
TS 7.XL	1543 m ³ /h
TS 10.XL	2098 m ³ /h

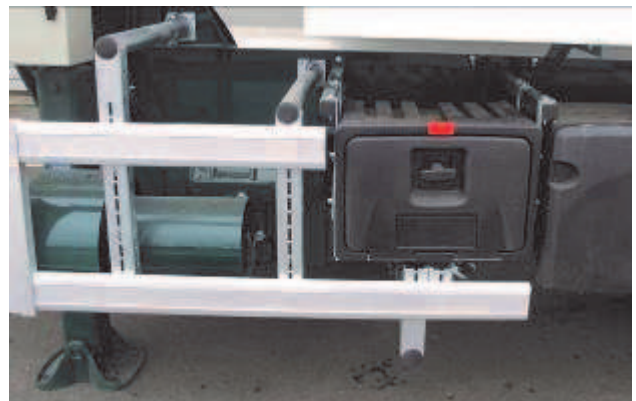
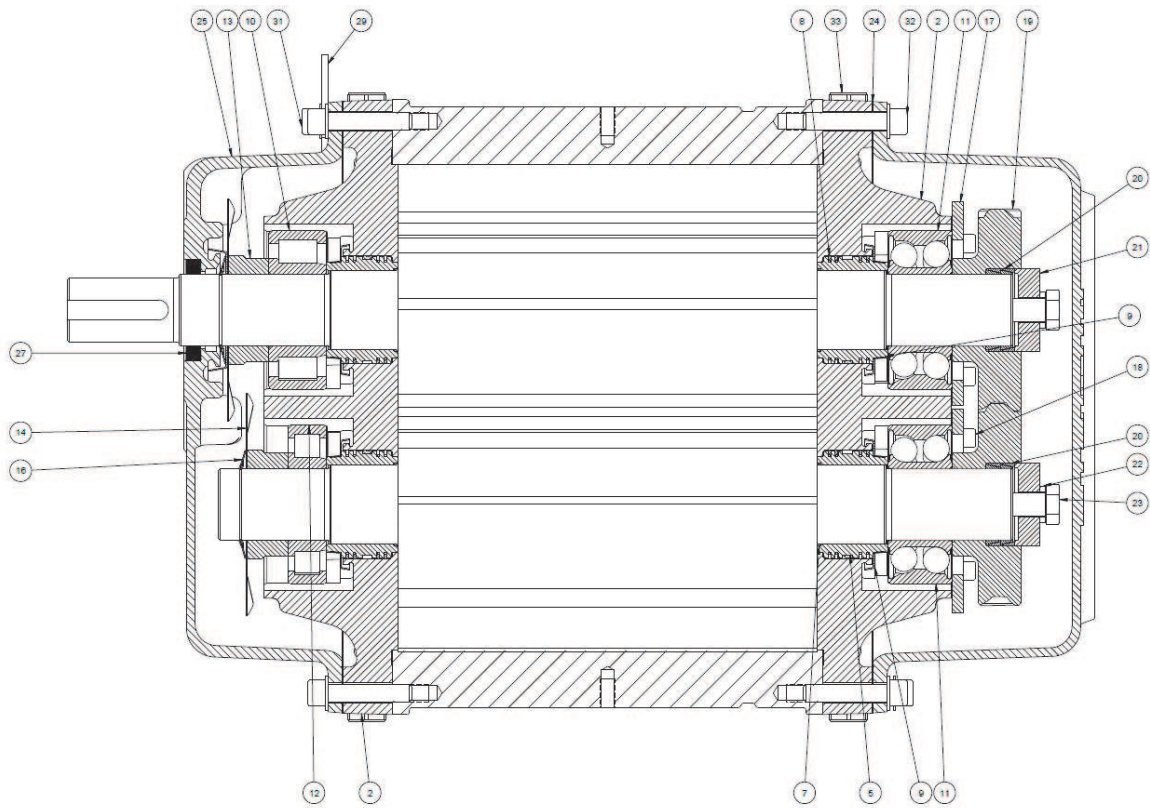
* Generated volume at maxi speed



The three-Lobe design for the TS.XL series delivers unsurpassed reliability in a versatile unit that can be installed in nearly any drybulk transfer vehicle.



Compact, quiet and easy-to-install, Ingersoll Rand TS.XL drybulk truck blowers are suitable for a wide range of applications in the toughest industries.



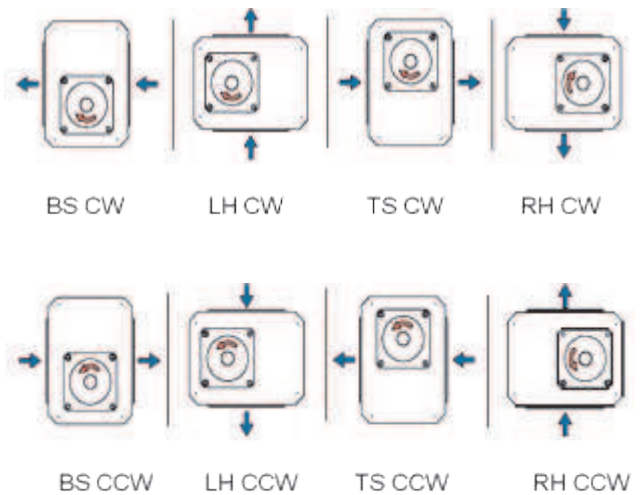
Accessories

Ingersoll Rand provides a range of accessories that are specifically designed for TS.XL blowers

- Inlet filter
- Inlet silencer
- Pressure gauge
- Discharge silencer
- Pressure relief valve
- Adaptor for hydraulic motor

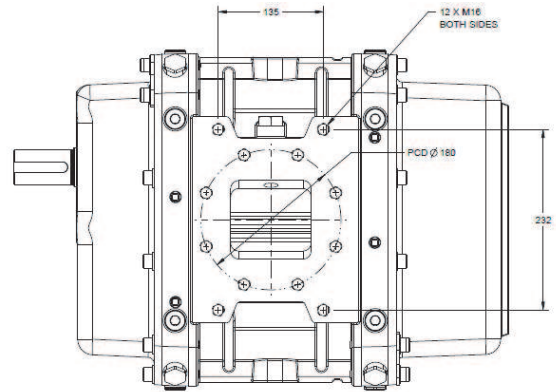
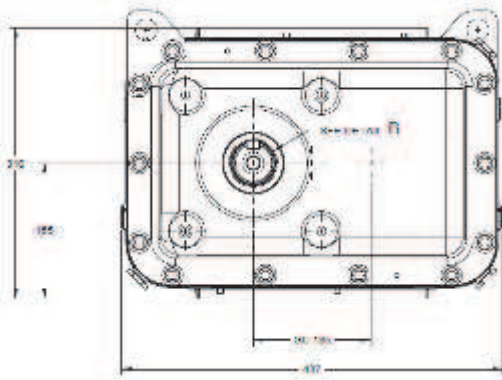
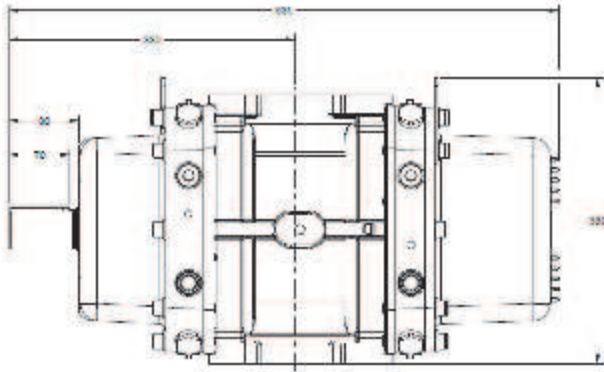
Double sens	TS 07 XL	TS 10 XL
BS	F015510201	F015520201
LH	F015510200	F015520200
RH	F015510203	F015520203
TS	F015510202	F015520202

Configuration available

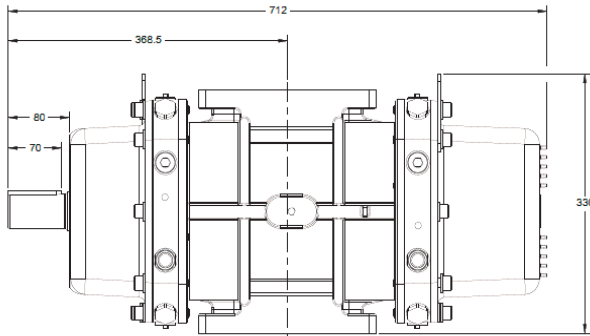


Dimensions of bare shaft units (in mm)

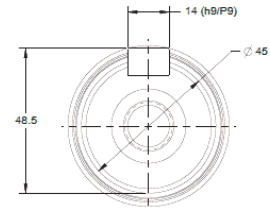
TS 7.XL



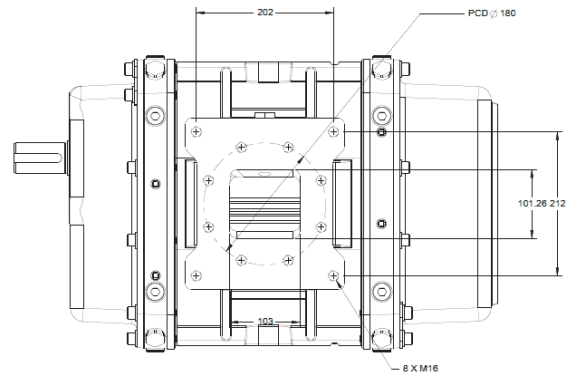
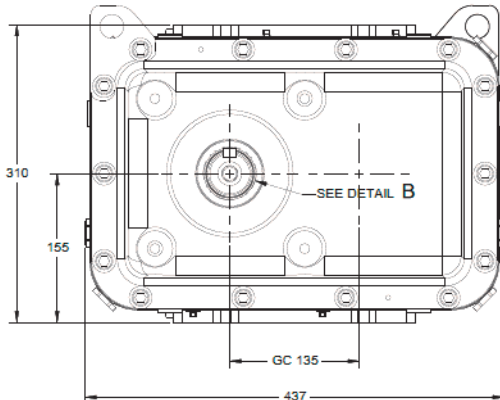
TS 10.XL



Detail B For TS 7.XL and TS 10.XL



DETAIL B
SCALE 1.500



Performance Pressure Operation

Blower type	RPM	500 mbar		800 mbar		1000 mbar		1200 mbar		1400 mbar**	
		m ³ /h	kW	m ³ /h	kW	m ³ /h	kW	m ³ /h	kW	m ³ /h	kW
TS 7.XL (1543 m ³ /h)*	2000	553	11,7	484	18,7	442	23,2	403	28,3		
	2200	639	13,4	570	21,0	528	26,0	489	31,5		
	2400	724	15,1	656	23,4	614	28,7	574	34,6	550	40,0
	2600	809	16,8	743	25,7	700	31,5	660	37,7	638	43,5
	2800	894	18,5	829	28,1	786	34,2	746	40,9	726	47,0
	3000	980	20,2	915	30,4	872	37,0	831	44,0	814	50,5
	3200	1065	21,9	1001	32,8	959	39,7	917	47,1	902	54,1
	3400	1150	23,6	1087	35,2	1045	42,5	1002	50,3	989	57,6
	3600	1235	25,3	1173	37,5	1131	45,2	1088	53,4	1077	61,1
TS 10.XL (2098 m ³ /h)*	2000	752	15,8	658	25,4	601	31,6	548	38,5		
	2200	868	18,2	776	28,6	718	35,3	665	42,8		
	2400	984	20,5	893	31,8	835	39,1	781	47,0	748	54,4
	2600	1100	22,8	1010	35,0	952	42,8	897	51,3	867	59,2
	2800	1216	25,1	1127	38,2	1069	46,5	1014	55,6	987	64,0
	3000	1332	27,4	1244	41,4	1186	50,3	1130	59,8	1106	68,7
	3200	1448	29,8	1361	44,6	1303	54,0	1247	64,1	1226	73,5
	3400	1564	32,1	1478	47,8	1421	57,8	1363	68,3	1345	78,3
	3600	1680	34,4	1595	51,0	1538	61,5	1479	72,6	1465	83,0

* Generated volume at maxi speed

** Peak pressure , intermittent use (15 mn maxi /hour)

Maxi torque at start	TS 07 XL	195 Nm
	TS 10 XL	265 Nm
Weight	TS 07 XL	200 kg
	TS 10 XL	225 kg
Maximum temperature at outlet flange		180°C
Fuse melting point		185°C
Oil :	HIBON LUBE or equivalent	
Maxi blower tilt angle		12 °



Mini recommended diameter of pulleys (in mm)

	600 / 700 mbar	800 mbar	900 mbar	1000 / 1100 mbar	1200 mbar
TS 7.XL	150	160	170	180	200
TS 10.XL	180	200	200	212	224



Nothing contained on this leaflet is intended to extend any warranty or representation, expressed or implied, regarding the product described herein. Any such warranties or other terms and conditions of sale of product shall be in accordance with Ingersoll Rand's standard terms and conditions of sale for such products , which are available upon request.
Product improvement is a continuing goal at Ingersoll Rand. Designs and specification are subject to change without notice or obligation.

HIBON is a brand of Ingersoll Rand. Ingersoll Rand (NYSE:IR) advances the quality of life by creating and sustaining safe, comfortable and efficient environments. Our people and our family of brands work together to enhance the quality and comfort of air in homes and buildings; transport and protect food and perishables; secure homes and commercial properties; and increase industrial productivity and efficiency. We are a \$14 billion global business committed to a world of sustainable progress and enduring results. For more information, visit ingersollrand.com or www.hibon.com



Authorized Hibon Distributor, Service & Repair Facility
 120 – 10293 276 ST, Acheson, Alberta, Canada T7X 6A5
 T: 780.962.1827 F: 780.962.1830 E: sales@fraserwoods.ca
www.fraserwoods.ca