

VTB.XL Series

Air injection Vacuum Blower

Better by design

With over 100 years of experience, Hibon is a market leader with a world-class range of air blowers and vacuum equipment used to provide air/gas volumes for pressure and vacuum applications.

Continuous research and development of the **hibon** Product range has led to the introduction of the new **VTB.XL** Series Air Injection blowers.

Their new design incorporates the benefits of improved assembly, lifetime reliability, better performance and interchangeability with the previous range, as well as smaller blower units.

Range


Blowers	Free air delivery* maxi
VTB 805.XL	1 007 m ³ /h
VTB 807.XL	1 570 m ³ /h
VTB 810.XL	1 901 m ³ /h
VTB 820.XL	2 822 m ³ /h
VTB 822.XL	4 635 m ³ /h
VTB 840.XL	6 492 m ³ /h
VTB 8602.XL	7 800 m ³ /h
VTB 8702.XL	9 690 m ³ /h
VTB 8902.XL	11 400 m ³ /h

* At maximum speed.

Vacuum up to 95%

Pressure up to 1 bar g. ; To 1.2 bar g. from VTB 840.XL

Features

Rotors: Three-Lobe Rotors with a one-piece, integral lobe and shaft design for improved quality and reliability. Available in **ATEX** on request.  **II 2/2 G/D c, II BT3, 160° C X**

Gears: Helical gears located on the opposite drive side.

Bearings: Four sized bearings for lifetime reliability.

Oil reservoir: Large oil reservoir for improved bearing lubrication.

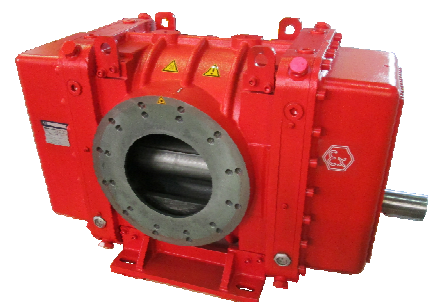
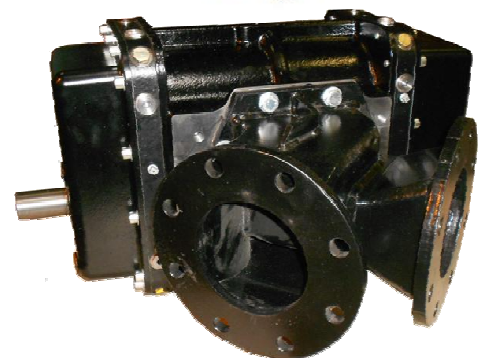
Oil thrower: Oil thrower and oil passages for good bearing lubrication and long life.

Seals: For air : An innovative and unique design that includes 4 piston rings and a shield. **For an oil free operation :** Dynamic shaft seals arrangement with deflector.

Shaft seals: Innovative dynamic shaft seals arrangement.

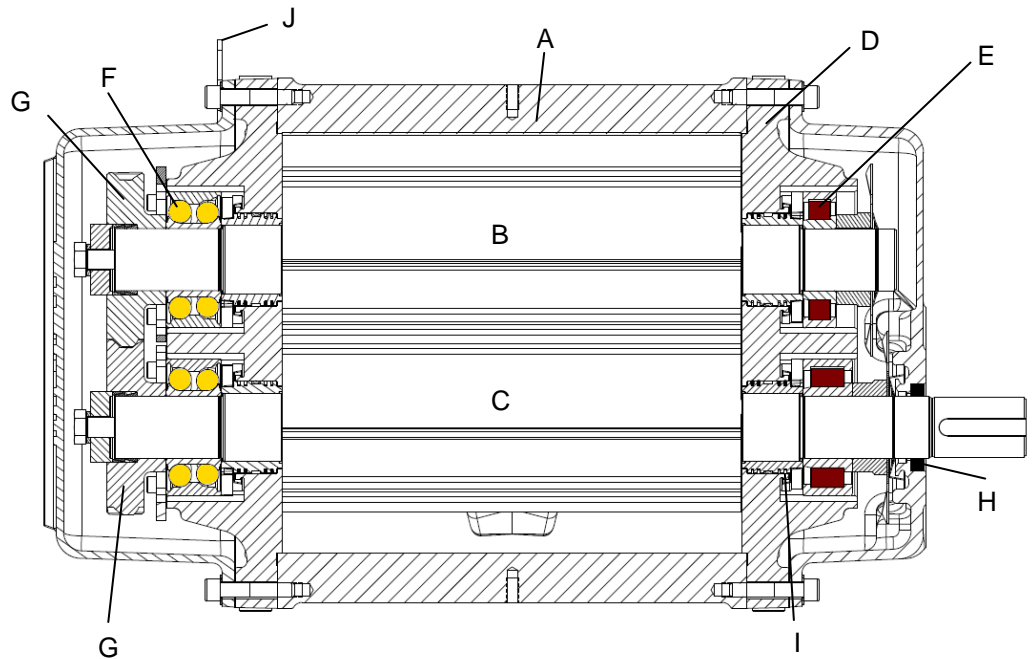


Cleaner
Lower running costs
Maintenance free



Part Description

A	Housing
B	Driven Rotor
C	Drive Rotor
D	Head Plate
E	Roller bearings
F	Boll bearings
G	Gears
H	SCP ring
I	Piston ring seals
J	Lifting lugs



Benefits

- No oil or water cooling system
- High mechanical and volumetric efficiency
- Lifetime reliability
- 100% oil free air
- Blowers without maintenance for 40,000 hours (except oil each year).
- Interchangeability with the previous range (except VTB822.XL)
- Lifting lugs
- Option: Mounting feet

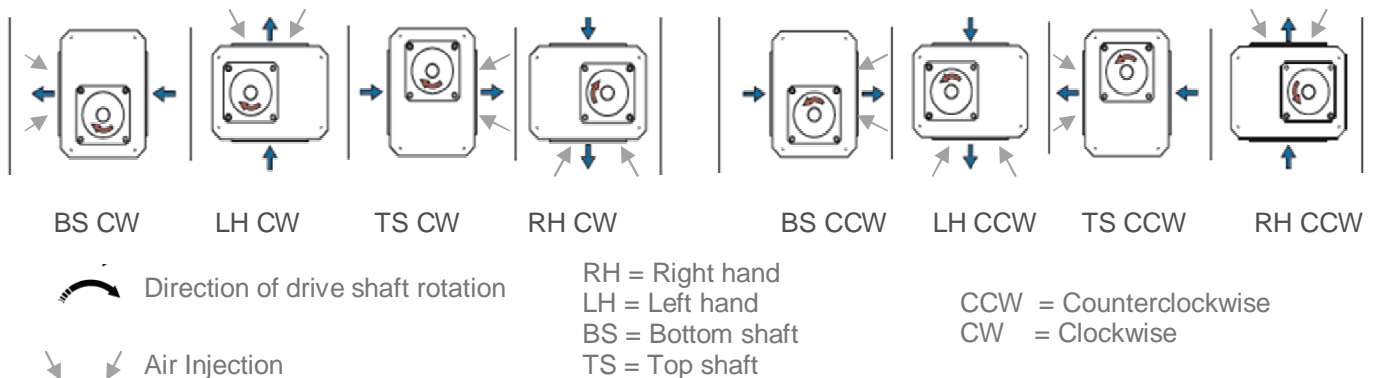
Applications

Hibon® VTB.XL series are the only dry positive displacement blowers able to reach 95% vacuum. The special design of this «Environmentally green pump» eliminates water cooling, heat exchangers, oil consumption and effluent.

Typical applications are :

- Mobile waste handling units, industrial, municipal wet and dry.
- Pneumatic conveying (fly ash, chemicals pharmaceuticals product...).
- Central vacuum systems (packaging, envelope manufacturing...)

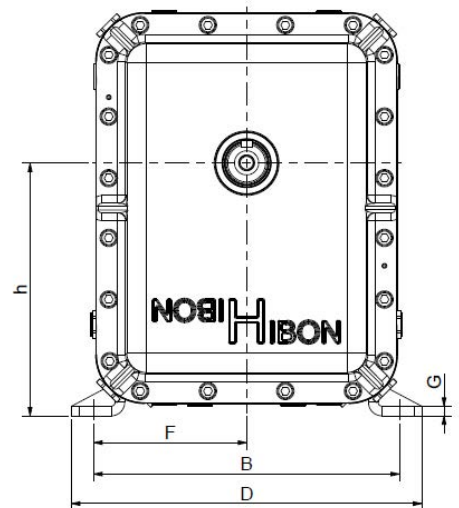
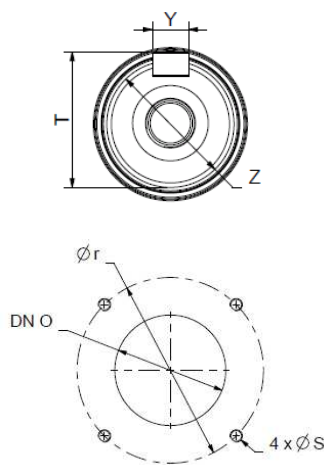
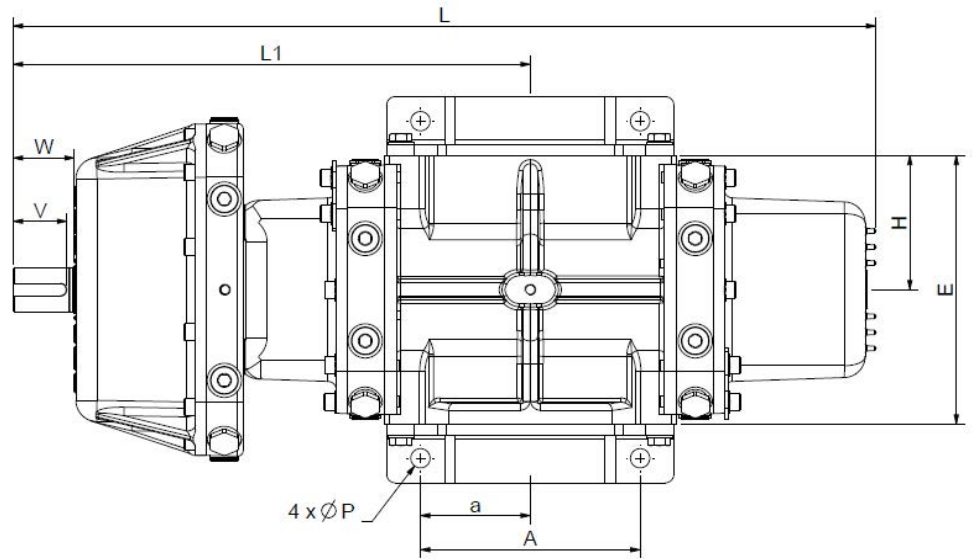
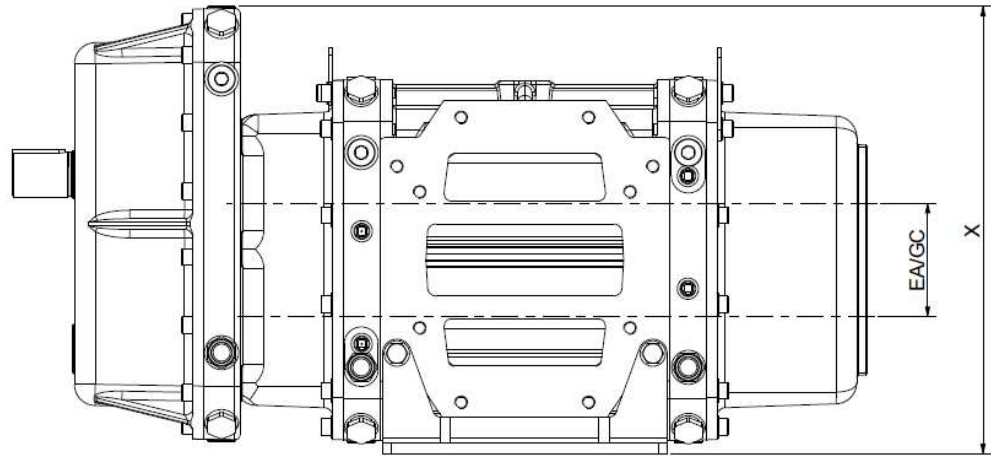
Configurations





Dimensions (in mm)

	VTB 805.XL	VTB 807.XL
	With Bolt-on Gearbox	
A	128	205
a	64	102.5
B	316	316
D	362	362
E	252	252
EA	106	106
F	158	158
G	10	10
H	126	126
h	262	262
L	710	805
L1	434.5	482.5
T	45	45
V	50	50
W	57	57
X	420	420
Y	12	12
Z Ø	42	42
O Ø	100	125
P Ø	18	18
r Ø	180	210
S Ø	M14	M14
n	4	4
Weight (kg)	195	231

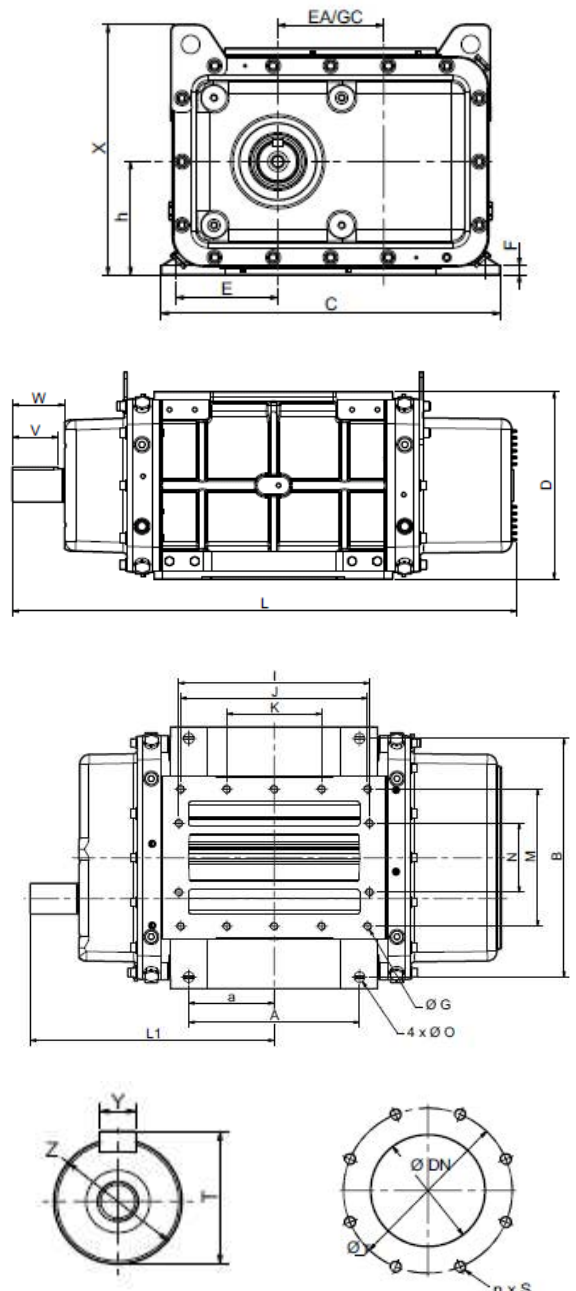




Dimensions (LH /RH)

	VTB 805.XL		VTB 807.XL		VTB 810.XL		VTB 820.XL		VTB 822.XL	
	mm	Inch	mm	Inch	mm	Inch	mm	Inch	mm	Inch
A	/	/	/	/	/	/	/	/	360	14.17
a	/	/	/	/	/	/	/	/	180	7.09
B	/	/	/	/	/	/	/	/	505	19.88
C	346	13.62	346	13.62	425	16.73	425	16.73	554	21.81
D	252	9.92	252	9.92	310	12.20	310	12.20	370	14.57
E	/	/	/	/	/	/	/	/	166	6.54
F	/	/	/	/	/	/	/	/	15	0.59
GC/EA	106	4.17	106	4.17	135	5.31	135	5.31	173	6.81
G	8 x M12		8 x M12		8 x M16		8 x M16		14 x M16	
h	126	4.96	126	4.96	155	6.10	155	6.10	185	7.28
I	150	5.91	198	7.80	179	7.05	230	9.06	402	15.83
J	64	2.52	120	4.72	90	3.54	100	3.94	394	15.51
K	/	/	/	/	/	/	/	/	200	7.87
L	555	21.85	650	25.59	672	26.46	792	31.18	994	39.13
L1	280	11.02	328	12.91	368	14.49	427,5	16.83	514	20.24
M	256	10.08	268	10.55	254	10.00	254	10.00	290	11.42
N	120	4.72	128	5.04	120	4.72	120	4.72	146	5.75
ØO	/	/	/	/	/	/	/	/	22	0.87
Ør	180	7.09	210	8.27	210	8.27	240	9.45	295	11.61
n x S	4 x M14		4 x M14		4 x M16		4 x M20		8 x M20	
T	45	1.77	45	1.77	51,5	2.03	51,5	2.03	69	2.72
ØDN	100	3.94	125	4.92	125	4.92	150	5.91	200	7.87
V	50	1.97	50	1.97	70	2.76	70	2.76	90	3.54
W	57	2.24	57	2.24	81	3.19	81	3.19	102	4.02
X	274	10.79	274	10.79	330	12.99	330	12.99	409	16.10
Y	12	0.47	12	0.47	14	0.55	14	0.55	18	0.71
ØZ*	42	1.65	42	1.65	48	1.89	48	1.89	65	2.56

* Fitting tolerance range : m6

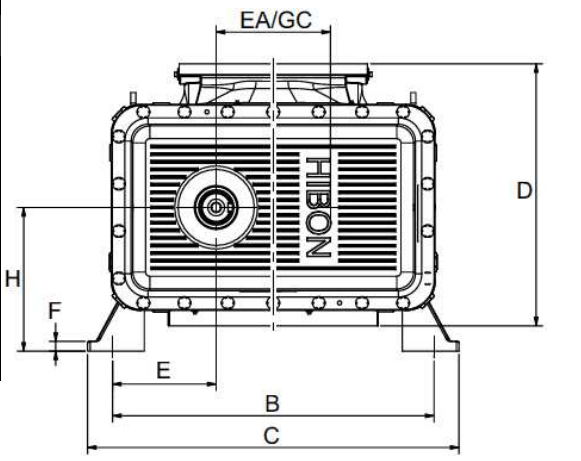
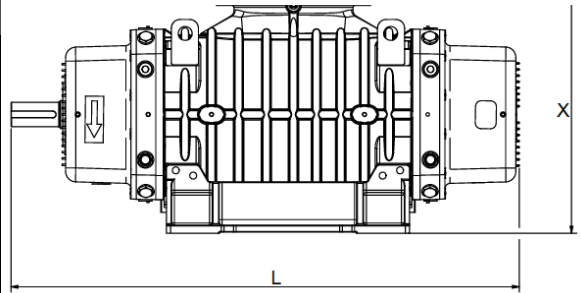
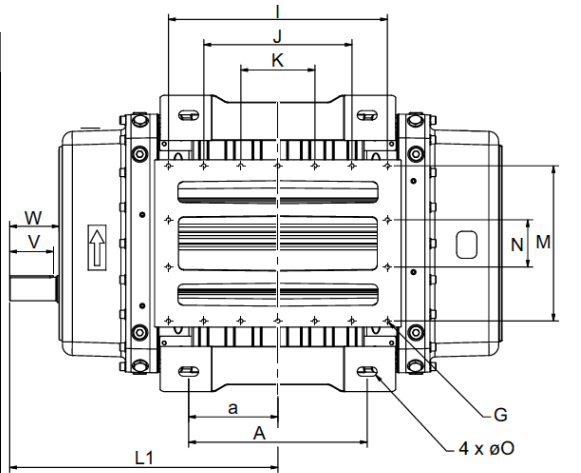


Weight	VTB 805.XL		VTB 807.XL		VTB 810.XL		VTB 820.XL		VTB 822.XL	
Kg/lb	127	280	157	346	221	487	263	580	540	1190

Dimensions (LH / RH)

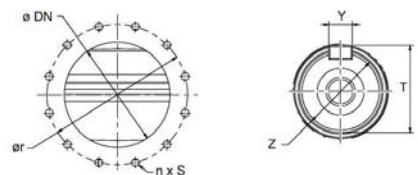


	VTB 840.XL		VTB 8602.XL		VTB 8702.XL		VTB 8902.XL	
	mm	Inch	mm	Inch	mm	Inch	mm	Inch
A	375	14.76	450	17.72	430	16.93	530	20.87
a	217.5	8.56	225	8.86	229	9.02	281	11.06
B	600	23.62	672	26.46	710	27.95	760	29.92
C	667	26.26	739	29.09	830	32.68	878	34.57
D	460	18.11	460	18.11	620	24.41	620	24.41
E	191.5	7.54	227.5	8.96	220	8.66	245	9.65
F	21	0.83	23	0.91	23	0.91	23	0.91
GC/EA	217	8.54	217	8.54	270	10.63	270	10.63
G	16 x M12		14 x M12		14 x M12		18 x M12	
h	270	10.63	270	10.63	340	13.39	340	13.39
I	/		/		/		650	25.59
J	424	16.69	498	19.61	498	19.61	440	17.32
K	212	8.35	250	9.84	250	9.84	220	8.66
L	1159	45.63	1287	50.67	1316	51.81	1462	57.56
L1	660	25.98	694	27.32	737	29.02	812	31.97
M	385	15.16	460	18.11	460	18.11	460	18.11
N	192	7.56	140	5.51	140	5.51	140	5.51
ØO	27	1.06	27	1.06	27	1.06	27	1.06
Ør	350/400	13.78/15.75	400	15.75	400	15.75	400	15.75
n x S	24 x M20		12 x M20		12 x Ø22		12 x Ø22	
T	65	2.56	74.5	2.93	74.5	2.93	74.5	2.93
ØDN	250	9.84	300	11.81	300	11.81	300	11.81
V	105	4.13	106	4.17	130	5.12	130	5.12
W	125	4.92	125	4.92	147	5.79	147	5.79
X	500	19.68	505	19.88	680	26.77	680	26.77
Y	18	0.71	20	0.79	20	0.79	20	0.79
ØZ*	65	2.56	70	2.46	70	2.76	70	2.76



* Fitting tolerance range : m6

Weight	VTB 840.XL		VTB 8602.XL		VTB 8702.XL		VTB 8902.XL	
Kg/lb	775	1708	1036	2284	1250	2756	1487	3278



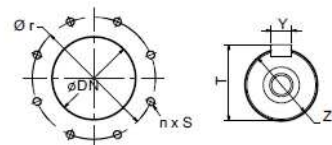
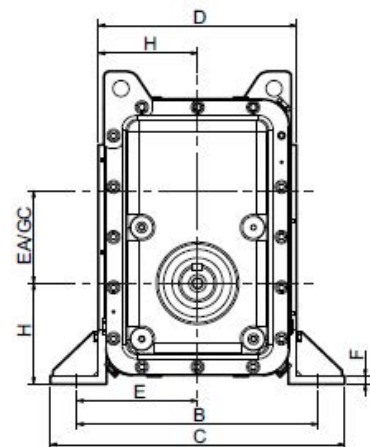
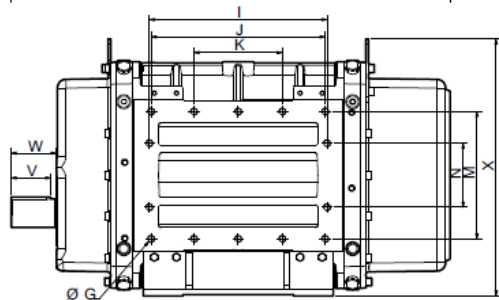
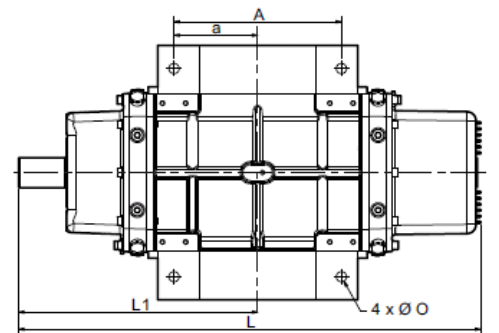


Dimensions (TS / BS)

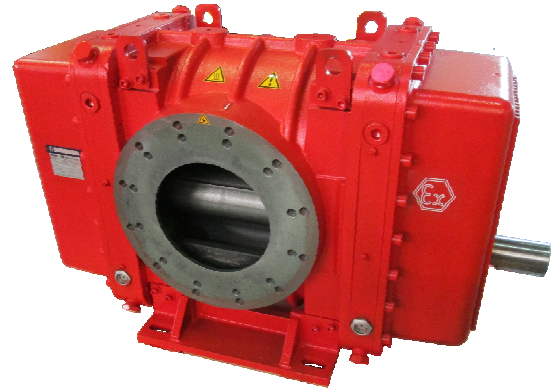
	VTB 805.XL		VTB 807.XL		VTB 810.XL		VTB 820.XL		VTB 822.XL	
	mm	Inch	mm	Inch	mm	Inch	mm	Inch	mm	Inch
A	128	5.04	205	8.07	185	7.28	300	11.81	360	14.17
a	64	2.52	102.5	4.04	92,5	3.64	150	5.91	180	7.09
B	316	12.44	316	12.44	370	14.57	370	14.57	450	17.72
C	362	14.25	362	14.25	418	16.46	418	16.46	550	21.65
D	252	9.92	252	9.92	310	12.20	310	12.20	370	14.57
E	158	6.22	158	6.22	185	7.28	185	7.28	225	8.86
F	10	0.39	10	0.39	10	0.39	10	0.39	15	0.59
GC	106	4.17	106	4.17	135	5.31	135	5.31	173	6.81
G	8 x M12		8 x M12		8 x M16		8 x M16		14 x M16	
H	126	4.96	126	4.96	155	6.10	155	6.10	185	7.28
h	129	5.08	129	5.08	150	5.91	150	5.91	188,5	7.42
I	150	5.91	198	7.80	179	7.05	230	9.06	402	15.83
J	64	2.52	120	4.72	90	3.54	100	3.94	394	15.51
K	/	/	/	/	/	/	/	/	200	7.87
L	555	21.85	650	25.59	672	26.46	792	31.18	994	39.13
L1	280	11.02	327.5	12.89	368	14.49	427.5	16.83	514	20.24
M	256	10.08	268	10.55	254	10.00	254	10.00	290	11.42
N	120	4.72	128	5.04	120	4.72	120	4.72	146	5.75
ØO	18	0.71	18	0.71	18	0.71	18	0.71	22	0.87
Ør	180	7.09	210	8.27	210	8.27	240	9.45	295	11.61
n x S	4 x M14		4 x M14		4 x M16		4 x M20		8 x M20	
T	45	1.77	45	1.77	51.5	2.03	51.5	2.03	69	2.72
ØDN	100	3.94	125	4.92	125	4.92	150	5.91	200	7.87
V	50	1.97	50	1.97	70	2.76	70	2.76	90	3.54
W	57	2.24	57	2.24	81	3.19	81	3.19	102	4.02
X	382	15.04	382	15.04	462	18.19	462	18.19	585	23.03
Y	12	0.47	12	0.47	14	0.55	14	0.55	18	0.71
ØZ*	42	1.65	42	1.65	48	1.89	48	1.89	65	2.56

* Fitting tolerance range : m6

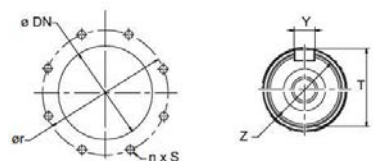
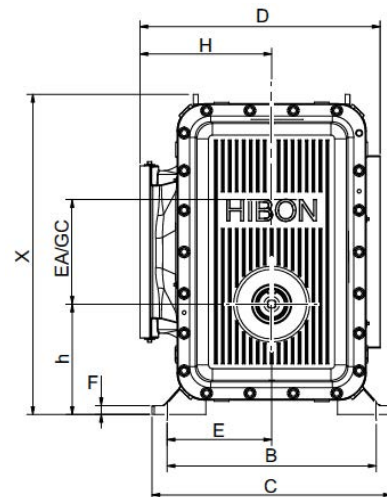
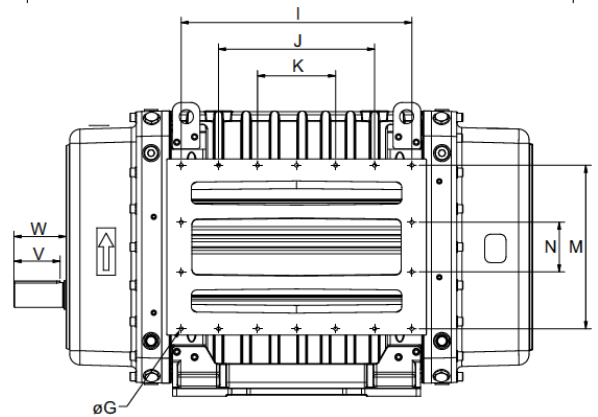
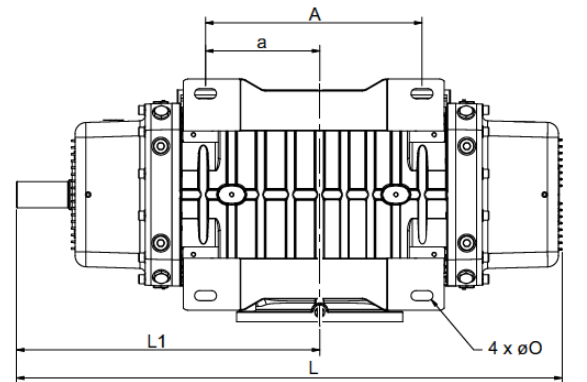
Weight	VTB 805.XL		VTB 807.XL		VTB 810.XL		VTB 820.XL		VTB 822.XL	
Kg/lb	127	280	157	346	221	487	263	580	540	1190



Dimensions (BS / TS)



	VTB 840.XL		VTB 8602.XL		VTB 8702.XL		VTB 8902.XL	
	mm	Inch	mm	Inch	mm	Inch	mm	Inch
A	375	14.76	450	17.72	430	16.93	580	22.83
a	217.5	8.56	225	8.86	229	9.02	290	11.42
B	460	18.11	482	18.98	540	21.26	540	21.26
C	530	20.87	552	21.73	600	23.62	618	24.33
D	460	18.11	460	18.11	620	24.41	620	24.41
E	230	9.06	241	9.49	270	10.63	270	10.63
F	23	0.91	23	0.91	23	0.91	23	0.91
GC/EA	217	8.54	217	8.54	270	10.63	270	10.63
G	16 x M12		14 x M12		14x M12		18 x M12	
H	230	9.06	230	9.06	340	13.39	340	13.39
h	235	9.25	285	11.22	285	11.22	285	11.22
I	/		/		/		650	25.59
J	424	16.69	498	19.61	498	19.61	440	17.32
K	212	8.35	250	9.84	250	9.84	220	8.66
L	1159	45.63	1287	50.67	1316	51.81	1462	57.56
L1	660	25.98	694	27.32	737	29.02	812	31.97
M	385	15.16	460	18.11	460	18.11	460	18.11
N	192	7.56	140	5.51	140	5.51	140	5.51
ØO	27	1.06	27	1.06	27	1.06	27	1.06
Ør	350/400	13.78/15.75	400	15.75	400	15.75	400	15.75
n x S	24 x M20		12 x M20		12 x Ø 22		12 x Ø 22	
T	69	2.72	74.5	2.93	74.5	2.93	74.5	2.93
ØDN	250	9.84	300	11.81	300	11.81	300	11.81
V	105	4.13	106	4.17	130	5.12	130	5.12
W	125	4.92	125	4.92	147	5.79	147	5.79
X	681	26.81	737	29.02	827	32.56	827	32.56
Y	18	0.71	20	0.79	20	0.79	20	0.79
ØZ*	65	2.56	70	2.76	70	2.76	70	2.76



Weight	VTB 840.XL		VTB 8602.XL		VTB 8702.XL		VTB 8902.XL	
Kg/lb	775	1708	1036	2284	1250	2756	1487	3278

Performances

** For intermittent use only. (15 min / hour)

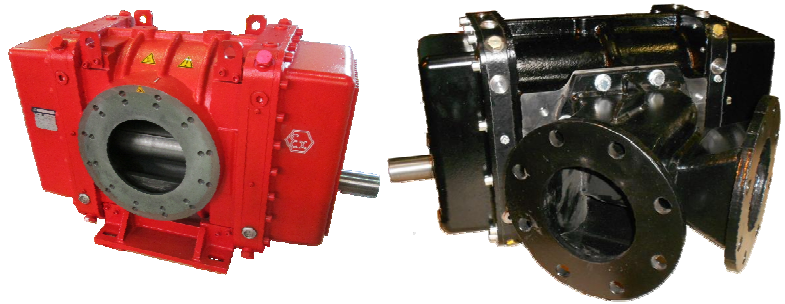
VTB 805.XL													
RPM	Volume displacement	50% Vacuum		60% Vacuum		70% Vacuum		80% Vacuum		87% Vacuum		90% Vacuum	
	m ³ /h	m ³ /h	kW	m ³ /h	kW	m ³ /h	kW	m ³ /h	kW	m ³ /h	kW	m ³ /h	kW
2600	546	383	8	345	10	290	11	114	13	-	-	-	-
2900	608	446	9	408	11	351	13	173	14	-	-	-	-
3200	671	508	10	470	12	413	14	233	16	48	18	-	-
3500	734	570	11	532	14	474	16	292	17	109	19	-	-
3800	797	633	13	594	15	535	17	352	19	170	21	-	-
4000	839	674	13	636	16	576	18	392	20	210	22	-	-
4200	881	716	14	677	17	617	19	431	21	251	24	23	24
4400	923	757	15	719	18	658	20	471	22	292	25	69	26
4600	965	799	16	761	18	699	21	511	23	332	26	114	27
4800	1007	840	16	802	19	740	22	551	24	373	27	160 **	28 **

VTB 807.XL													
RPM	Volume displacement	50% Vacuum		60% Vacuum		70% Vacuum		80% Vacuum		87% Vacuum		90% Vacuum	
	m ³ /h	m ³ /h	kW	m ³ /h	kW	m ³ /h	kW	m ³ /h	kW	m ³ /h	kW	m ³ /h	kW
2600	850	598	12	538	15	452	18	177	20	-	-	-	-
2900	948	695	14	635	17	548	20	270	22	-	-	-	-
3200	1047	792	16	732	19	643	22	363	25	76	27	-	-
3500	1145	889	18	830	21	739	24	456	27	170	30	-	-
3800	1243	986	20	927	23	834	27	549	30	265	33	-	-
4000	1308	1051	21	991	25	898	28	611	31	328	35	-	-
4200	1374	1116	22	1056	26	962	29	673	33	391	37	36	38
4400	1439	1180	23	1121	27	1026	31	734	35	454	39	107	40
4600	1504	1245	24	1186	29	1089	32	796	36	518	41	178	42
4800	1570	1310	26	1250	30	1153	34	858	38	581	43	250 **	44 **

VTB 805.XL with gearbox														
RPM	With gearbox	Volume displacement	50% Vacuum		60% Vacuum		70% Vacuum		80% Vacuum		87% Vacuum		90% Vacuum	
	U/min	m ³ /h	m ³ /h	kW	m ³ /h	kW	m ³ /h	kW	m ³ /h	kW	m ³ /h	kW	m ³ /h	kW
2600	1083	546	383	8	345	10	290	11	114	13	-	-	-	-
2900	1208	608	446	9	408	11	351	13	173	14	-	-	-	-
3200	1333	671	508	10	470	12	413	14	233	16	48	18	-	-
3500	1458	734	570	11	532	14	474	16	292	17	109	19	-	-
3800	1583	797	633	13	594	15	535	17	352	19	170	21	-	-
4000	1667	839	674	13	636	16	576	18	392	20	210	22	-	-
4200	1750	881	716	14	677	17	617	19	431	21	251	24	23	24
4400	1833	923	757	15	719	18	658	20	471	22	292	25	69	26
4600	1917	965	799	16	761	18	699	21	511	23	332	26	114	27
4800	2000	1007	840	16	802	19	740	22	551	24	373	27	160 **	28 **

VTB 807.XL with gearbox														
RPM	With gearbox	Volume displacement	50% Vacuum		60% Vacuum		70% Vacuum		80% Vacuum		87% Vacuum		90% Vacuum	
	U/min	m ³ /h	m ³ /h	kW	m ³ /h	kW	m ³ /h	kW	m ³ /h	kW	m ³ /h	kW	m ³ /h	kW
2600	1083	850	598	12	538	15	452	18	177	20	-	-	-	-
2900	1208	948	695	14	635	17	548	20	270	22	-	-	-	-
3200	1333	1047	792	16	732	19	643	22	363	25	76	27	-	-
3500	1458	1145	889	18	830	21	739	24	456	27	170	30	-	-
3800	1583	1243	986	20	927	23	834	27	549	30	265	33	-	-
4000	1667	1308	1051	21	991	25	898	28	611	31	328	35	-	-
4200	1750	1374	1116	22	1056	26	962	29	673	33	391	37	36	38
4400	1833	1439	1180	23	1121	27	1026	31	734	35	454	39	107	40
4600	1917	1504	1245	24	1186	29	1089	32	796	36	518	41	178	42
4800	2000	1570	1310	26	1250	30	1153	34	858	38	581	43	250 **	44 **

Performances



** For intermittent use only. (15 min / hour)

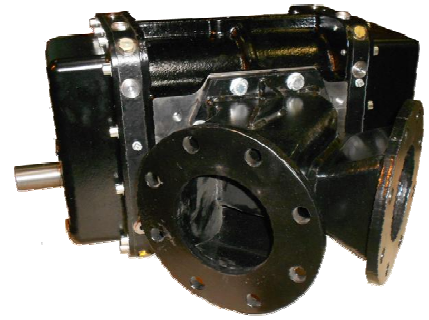
VTB 810.XL												
RPM	Volume displacement m ³ /h	50% Vacuum		60% Vacuum		70% Vacuum		80% Vacuum		90% Vacuum		Max. Vacuum (%)
		m ³ /h	kW	m ³ /h	kW	m ³ /h	kW	m ³ /h	kW	m ³ /h	kW	
2200	1101	908	16	855	19	778	22	571	24	164	28	92
2600	1301	1130	19	1077	23	1008	26	812	29	392	33	93.5
2800	1401	1241	21	1188	25	1123	28	932	32	506	36	94
3000	1502	1352	22	1300	27	1238	31	1052	34	620	39	94.5
3200	1602	1463	24	1411	29	1353	33	1172	37	734	42	94.8
3400	1702	1574	26	1522	31	1468	35	1292	39	848	44	95.2
3600	1802	1685	28	1633	34	1583	38	1412	42	962**	47**	
3800	1901	1796	30	1744	36	1698	41	1532**	45**	-	-	

VTB 820.XL												
RPM	Volume displacement m ³ /h	50% Vacuum		60% Vacuum		70% Vacuum		80% Vacuum		90% Vacuum		Max. Vacuum (%)
		m ³ /h	kW	m ³ /h	kW	m ³ /h	kW	m ³ /h	kW	m ³ /h	kW	
2200	1634	1237	26	1143	30	1032	34	858	36	258	40	92
2600	1931	1520	31	1433	36	1322	40	1160	43	493	47	93.5
2800	2080	1661	33	1577	39	1467	43	1311	47	611	51	94
3000	2228	1802	36	1722	41	1613	46	1463	50	729	55	94.5
3200	2377	1943	38	1867	44	1758	50	1614	54	846	59	94.8
3400	2526	2085	41	2012	47	1903	53	1765	58	964	63	95.2
3600	2674	2226	44	2156	50	2048	56	1916	62	1082**	67	
3800	2822	2367	46	2301	52	2193	60	2067**	65**	-	-	

VTB 822.XL												
RPM	Volume displacement m ³ /h	50% Vacuum		60% Vacuum		70% Vacuum		80% Vacuum		90% Vacuum		Max. Vacuum (%)
		m ³ /h	kW	m ³ /h	kW	m ³ /h	kW	m ³ /h	kW	m ³ /h	kW	
1600	2472	1930	36	1784	43	1541	50	1175	57	768	64	
1800	2781	2235	40	2091	48	1852	56	1455	64	955	72	
2000	3090	2541	45	2398	54	2163	63	1735	71	1208	80	
2200	3399	2847	49	2706	59	2474	69	2015	79	1428	88	
2400	3708	3152	54	3013	64	2785	75	2295	86	1648	96	
2600	4017	3458	58	3320	70	3095	81	2575	93	1868	105	
2800	4326	3764	63	3628	75	3406	88	2855	100	2088	113	
3000	4635	4070	67	3935	80	3717	94	3135	107	2308	121	

VTB 840.XL												
RPM	Volume displacement m ³ /h	50% Vacuum		60% Vacuum		70% Vacuum		80% Vacuum		90% Vacuum		Max. Vacuum (%)
		m ³ /h	kW	m ³ /h	kW	m ³ /h	kW	m ³ /h	kW	m ³ /h	kW	
1200	3116	2418	47	2185	56	1797	65	1068	75	-	-	
1400	3635	2956	55	2729	66	2351	76	1640	87	-	-	
1600	4155	3493	63	3273	75	2904	87	2213	100	572	112	
1800	4674	4031	71	3816	84	3458	98	2786	112	1190	126	
2000	5193	4568	79	4360	94	4012	109	3359	124	1808	140	
2200	5713	5106	86	4903	103	4566	120	3931	137	2426	154	
2400	6232	5643	94	5447	113	5119	131	4504	149	3044	168	
2500	6492	5912	98	5719	117	5396	136	4790	156	3352	175	

Performances



VTB 8602.XL											
RPM	Volume displacement	50% Vacuum		60% Vacuum		70% Vacuum		80% Vacuum		90% Vacuum	
	m ³ /h	m ³ /h	kW	m ³ /h	kW	m ³ /h	kW	m ³ /h	kW	m ³ /h	kW
1000	3260	2490	48	2272	58	1913	67	1251	77	-	-
1500	4890	4114	72	3909	86	3573	101	2953	115	1550	130
2000	6500	5737	96	5546	115	5232	134	4655	154	3347	173
2400	7800	7035	115	6856	138	6560	161	6016	184	4785	207

VTB 8702.XL											
RPM	Volume displacement	50% Vacuum		60% Vacuum		70% Vacuum		80% Vacuum		90% Vacuum	
	m ³ /h	m ³ /h	kW	m ³ /h	kW	m ³ /h	kW	m ³ /h	kW	m ³ /h	kW
1000	4845	3734	75	3393	86	2902	106	1725	114	-	-
1500	7260	6016	113	5714	128	5126	158	3931	171	1800	203
2000	9690	8298	151	8036	171	7352	211	6137	228	3808	271

VTB 8902.XL											
RPM	Volume displacement	50% Vacuum		60% Vacuum		70% Vacuum		80% Vacuum		90% Vacuum	
	m ³ /h	m ³ /h	kW	m ³ /h	kW	m ³ /h	kW	m ³ /h	kW	m ³ /h	kW
1000	6000	4833	88	4553	106	3977	122	2885	141	778	155
1500	9000	7507	133	7208	159	6447	183	5139	212	2479	233
1900	11400	9647	168	9332	202	8422	231	6943	269	3841	295

** For intermittent use only. (15 min / hour)

Part numbers

Blower model	Shaft position	Rotation direction	Standard blowers			
			Without Feet		With Feet	
VTB 805.XL	Bottom	Counter clockwise	F014 570 110	E	F0145 701 101	E
	Bottom	Clockwise	F014 570 111	A	F0145 701 111	A
	Left	Counter clockwise	F014 570 100	H		
	Left	Clockwise	F014 570 101	D		
	Top	Counter clockwise	F014 570 120	F	F0145 701 201	F
	Top	Clockwise	F014 570 121	B	F0145 701 211	B
	Right	Counter clockwise	F014 570 130	G		
	Right	Clockwise	F014 570 131	C		
VTB 807.XL	Bottom	Counter clockwise	F014 690 110	E	F0146 901 101	E
	Bottom	Clockwise	F014 690 111	A	F0146 901 111	A
	Left	Counter clockwise	F014 690 100	H		
	Left	Clockwise	F014 690 101	D		
	Top	Counter clockwise	F014 690 120	F	F0146 901 201	F
	Top	Clockwise	F014 690 121	B	F0146 901 211	B
	Right	Counter clockwise	F014 690 130	G		
	Right	Clockwise	F014 690 131	C		
VTB 810.XL	Bottom	Counter clockwise	F015 690 110	E	F0156 901 101	E
	Bottom	Clockwise	F015 690 111	A	F0156 901 111	A
	Left	Counter clockwise	F015 690 100	H		
	Left	Clockwise	F015 690 101	D		
	Top	Counter clockwise	F015 690 120	F	F0156 901 201	F
	Top	Clockwise	F015 690 121	B	F0156 901 211	B
	Right	Counter clockwise	F015 690 130	G		
	Right	Clockwise	F015 690 131	C		
VTB 820.XL	Bottom	Counter clockwise	F015 570 110	E	F0155 701 101	E
	Bottom	Clockwise	F015 570 111	A	F0155 701 111	A
	Left	Counter clockwise	F015 570 100	H		
	Left	Clockwise	F015 570 101	D		
	Top	Counter clockwise	F015 570 120	F	F0155 701 201	F
	Top	Clockwise	F015 570 121	B	F0155 701 211	B
	Right	Counter clockwise	F015 570 130	G		
	Right	Clockwise	F015 570 131	C		
VTB 822.XL	Bottom	Counter clockwise	F016 570 110	E	F0165 701 101	E
	Bottom	Clockwise	F016 570 111	A	F0165 701 111	A
	Left	Counter clockwise	F16 570 100	H	F0165 701 001	H
	Left	Clockwise	F016 570 101	D	F0165 701 011	D
	Top	Counter clockwise	F016 570 120	F	F0165 701 201	F
	Top	Clockwise	F016 570 121	B	F0165 701 211	B
	Right	Counter clockwise	F016 570 130	G	F0165 701 301	G
	Right	Clockwise	F016 570 131	C	F0165 701 311	C

Part numbers

Blower model	Shaft position	Rotation direction	Standard blowers			
			Without Feet		With Feet	
VTB 840.XL	Bottom	Counter clockwise	-	-	F0175701101	E
	Bottom	Clockwise	-	-	F0175701111	A
	Left	Counter clockwise	-	-	F0175701001	H
	Left	Clockwise	-	-	F0175701011	D
	Top	Counter clockwise	-	-	F0175701201	F
	Top	Clockwise	-	-	F0175701211	B
	Right	Counter clockwise	-	-	F0175701301	G
	Right	Clockwise	-	-	F0175701311	C
VTB 8602.XL	Bottom	Counter clockwise	-	-	F0176901101	E
	Bottom	Clockwise	-	-	F0176901111	A
	Top	Counter clockwise	-	-	F0176901001	H
	Left	Clockwise	-	-	F0176901011	D
	Top	Counter clockwise	-	-	F0176901201	F
	Top	Clockwise	-	-	F0176 901211	B
	Right	Counter clockwise	-	-	F0176901301	G
	Right	Clockwise	-	-	F0176901311	C
VTB 8702.XL	Bottom	Counter clockwise	-	-	F0185701101	E
	Bottom	Clockwise	-	-	F0185701111	A
	Left	Counter clockwise	-	-	F0185701001	H
	Left	Clockwise	-	-	F0185701011	D
	Top	Counter clockwise	-	-	F0185701201	F
	Top	Clockwise	-	-	F0185701211	B
	Right	Counter clockwise	-	-	F0185701301	G
	Right	Clockwise	-	-	F0185701311	C
VTB 8902.XL	Bottom	Counter clockwise	-	-	F0186901101	E
	Bottom	Clockwise	-	-	F0186901111	A
	Left	Counter clockwise	-	-	F0186901001	H
	Left	Clockwise	-	-	F0186901001	D
	Top	Counter clockwise	-	-	F0186901201	F
	Top	Clockwise	-	-	F0186901211	B
	Right	Counter clockwise	-	-	F0186901301	G
	Right	Clockwise	-	-	F0186901311	C



Nothing contained on this leaflet is intended to extend any warranty or representation, expressed or implied, regarding the product described herein. Any such warranties or other terms and conditions of sale of product shall be in accordance with Ingersoll Rand's standard terms and conditions of sale for such products, which are available upon request.
Product improvement is a continuing goal at Ingersoll Rand. Designs and specification are subject to change without notice or obligation.

HIBON is a brand of Ingersoll Rand. Ingersoll Rand (NYSE:IR) advances the quality of life by creating and sustaining safe, comfortable and efficient environments. Our people and our family of brands work together to enhance the quality and comfort of air in homes and buildings; transport and protect food and perishables; secure homes and commercial properties; and increase industrial productivity and efficiency. We are a \$14 billion global business committed to a world of sustainable progress and enduring results. For more information, visit ingersollrand.com or www.hibon.com



Authorized Hibon Distributor, Service & Repair Facility
 120 – 10293 276 ST, Acheson, Alberta, Canada T7X 6A5
 T: 780.962.1827 F: 780.962.1830 E: sales@fraserwoods.ca
www.fraserwoods.ca