

Process Blowers

NX S Series

For N₂, Ar, CH₄, He, H₂, O₂...
gases

With more than a century experience, Ingersoll Rand Air Solutions HIBON has successfully supplied to the market a world-class range of air blowers and vacuum equipment made to provide air/gas volumes at various both pressures and vacuum level.

Continuous research and development of the HIBON Products range has led to the introduction of our new Process bareshaft blowers : **NX S. Series.**

Range

NX 2S, NX 3S and NX 5S :	From 100 m ³ /h to 1 570 m ³ /h*
NX 8S and NX 12S :	From 400 m ³ /h to 2 822 m ³ /h*
NX 18S and NX 26S :	From 700 m ³ /h to 4 635 m ³ /h*
NX 43S and NX 54S :	From 1 900 m ³ /h to 7 820 m ³ /h*
NX 80S, NX 100S & NX 120S:	From 3 000 m ³ /h to 12 900 m ³ /h*

Differential pressure up to 1 bar g.

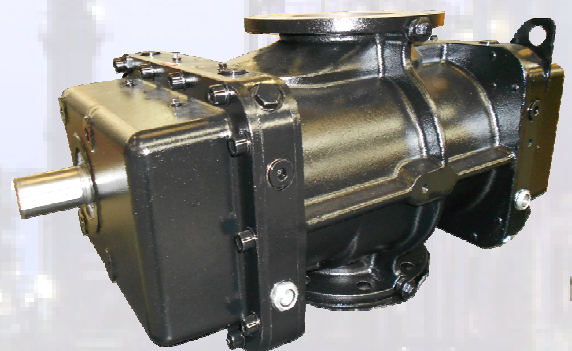
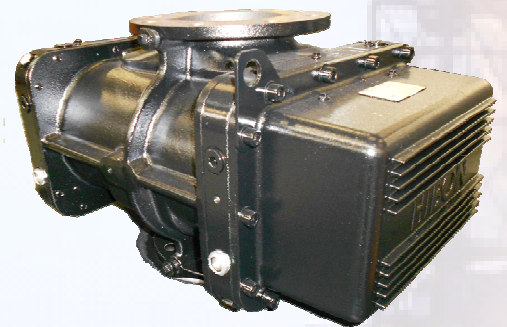
Vacuum up to 500 mbar

* Max flow rate can change with customer running conditions

Benefits

- On the shaft, single mechanical seal self lubricated by crankcase oil.
- High mechanical and volumetric efficiency.
- Auto-adjustments of the lateral clearance for easy assembly.
- Lifetime reliability.
- 100% oil free operation.
- Blowers without maintenance up to 5 years (except oil every two years*)
- Lifting lugs.

* if you use HIBON LUBE



A solution adapted to your applications ...

Material of construction

- Cast iron and carbon steel.
- Other material on demand.

Options

- ATEX available on demand.
- Option: Mounting feet

Main applications

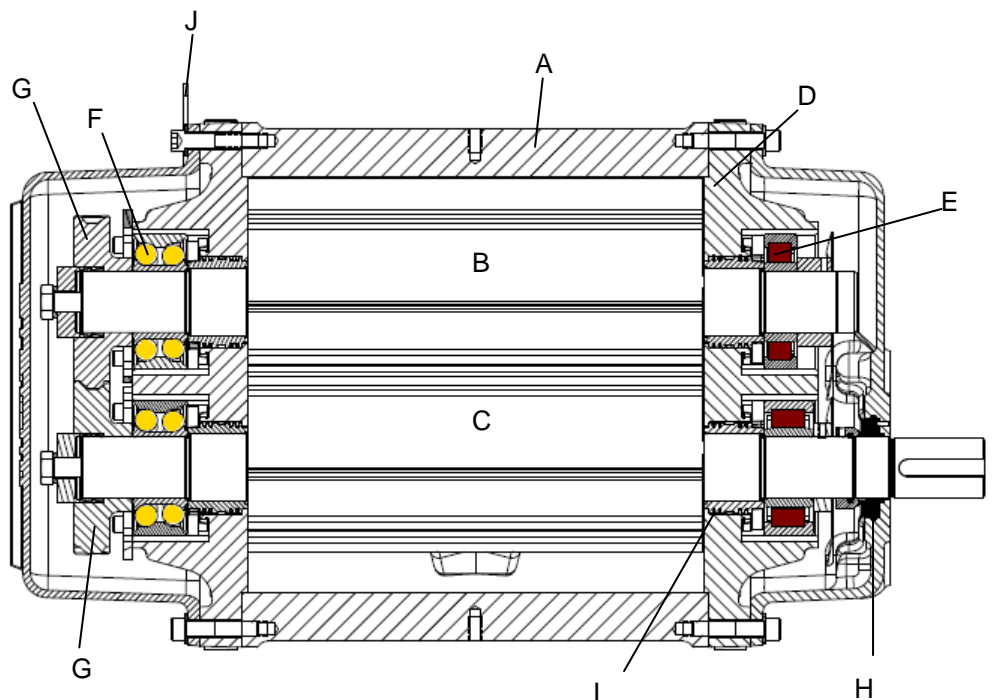
- Pneumatic conveying of polyethylene
- Biogas recovery
- Degassing
- Furnace cooling....

Main markets

- Process gas industry (N₂, Ar, CH₄, He, H₂, O₂...)
- Plastic industry
- Energy
- Chemical, petrochemical industries...

Part description

A	Housing
B	Driven Rotor
C	Drive Rotor
D	Head Plate
E	Roller bearings
F	Ball bearings
G	Gears
H	Single mechanical seal
I	Piston ring seals
J	Lifting lugs

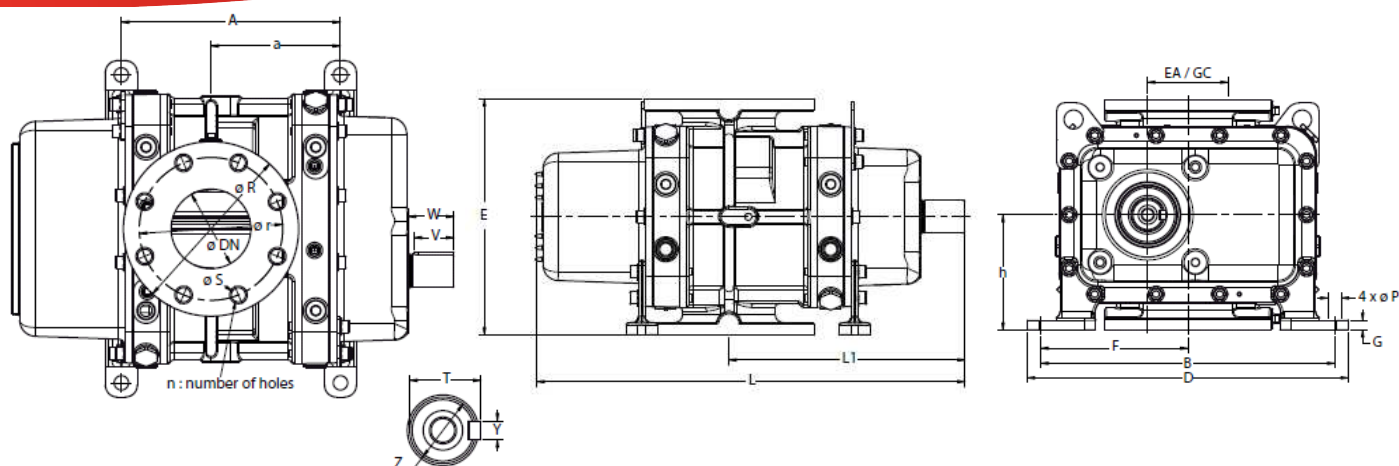


HIBON is a brand of Ingersoll Rand. Ingersoll Rand (NYSE:IR) advances the quality of life by creating and sustaining safe, comfortable and efficient environments. Our people and our family of brands work together to enhance the quality and comfort of air in homes and buildings; transport and protect food and perishables; secure homes and commercial properties; and increase industrial productivity and efficiency. We are a \$14 billion global business committed to a world of sustainable progress and enduring results. For more information, visit ingersollrand.com or www.hibon.com

Process Blowers

NX S Series

Left and Right Hand blower dimensions



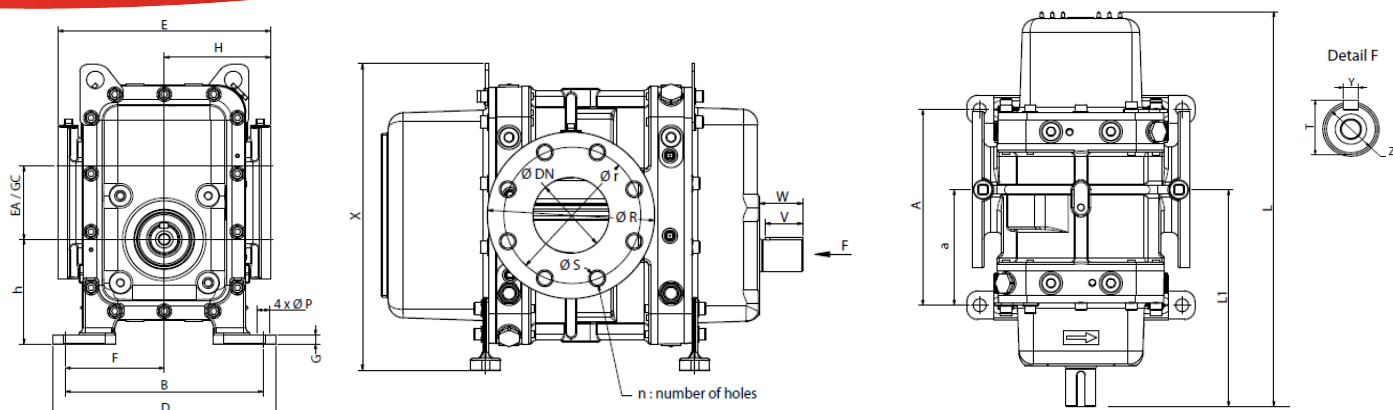
	NX 2 S		NX 3 S		NX 5 S		NX 8 S		NX 12 S		NX 18 S		NX 26 S	
	mm	inch	mm	inch	mm	inch	mm	inch	mm	inch	mm	inch	mm	inch
A	205	8,07	275	10,83	370	14,57	355	13,98	476	18,74	444	17,48	589	23,19
a	103	4,04	163	6,40	213	8,39	208	8,19	278	10,94	222	8,74	339,5	13,37
B	388	15,28	388	15,28	388	15,28	475	18,70	475	18,70	586	23,07	586	23,07
D	424	16,69	424	16,69	424	16,69	515	20,28	515	20,28	626	24,65	626	24,65
E	305	12,01	305	12,01	305	12,01	370	14,57	370	14,57	450	17,72	450	17,72
EA	106	4,17	106	4,17	106	4,17	135	5,31	135	5,31	173	6,81	173	6,81
F	194	7,64	194	7,64	194	7,64	238	9,37	238	9,37	293	11,54	293	11,54
G	13	0,51	13	0,51	13	0,51	13	0,51	13	0,51	15	0,59	15	0,59
h	153	6,00	153	6,00	153	6,00	185	7,28	185	7,28	225	8,86	225	8,86
L	485	19,09	555	21,85	650	25,59	671	26,42	791	31,14	848	33,39	993	39,09
L1	245	9,65	305	12,01	356	14,02	385	15,16	454	17,87	441	17,36	559	22,01
T	45	1,77	45	1,77	45	1,77	51,5	2,03	51,5	2,03	69	2,72	69	2,72
V	50	1,97	50	1,97	50	1,97	70	2,76	70	2,76	90	3,54	90	3,54
W	57	2,24	57	2,24	58	2,28	81	3,19	80	3,15	102	4,02	102	4,02
Y	12	0,47	12	0,47	12	0,47	14	0,55	14	0,55	18	0,71	18	0,71
ØZ*	42	1,65	42	1,65	42	1,65	48	1,89	48	1,89	65	2,56	65	2,56
ØR	200	7,87	220	8,66	220	8,66	250	9,84	285	11,22	340	13,39	340	13,39
Ør	160	6,30	180	7,09	180	7,09	210	8,27	240	9,45	295	11,61	295	11,61
ØDN	80	3,15	100	3,94	100	3,94	125	4,92	150	5,91	200	7,87	200	7,87
ØP	18	0,71	18	0,71	18	0,71	18	0,71	18	0,71	22	0,87	22	0,87
ØS	18	0,71	18	0,71	18	0,71	18	0,71	22	0,87	22	0,87	22	0,87
n	8		8		8		8		8		8		8	

* Fitting tolerance range : m6

Process Blowers

NX S Series

Top and Bottom shaft blower dimensions



	NX 2 S		NX 3 S		NX 5 S		NX 8 S		NX 12 S		NX 18 S		NX 26 S	
	mm	inch	mm	inch	mm	inch	mm	inch	mm	inch	mm	inch	mm	inch
A	205	8,07	275	10,83	370	14,57	355	13,98	476	18,74	444	17,48	589	23,19
a	103	4,04	163	6,40	213	8,39	208	8,19	278	10,94	222	8,74	339,5	13,37
B	284	11,18	284	11,18	284	11,18	336	13,23	336	13,23	414	16,30	414	16,30
D	320	12,60	320	12,60	320	12,60	376	14,80	376	14,80	454	17,87	454	17,87
E	305	12,01	305	12,01	305	12,01	370	14,57	370	14,57	450	17,72	450	17,72
EA	106	4,17	106	4,17	106	4,17	135	5,31	135	5,31	173	6,81	173	6,81
F	142	5,59	142	5,59	142	5,59	168	6,61	168	6,61	207	8,15	207	8,15
G	13	0,51	13	0,51	13	0,51	13	0,51	13	0,51	15	0,59	15	0,59
H	153	6,00	153	6,00	153	6,00	185	7,28	185	7,28	225	8,86	225	8,86
h	152	5,96	152	5,96	152	5,96	187	7,36	187	7,36	225	8,84	224,5	8,84
L	485	19,09	555	21,85	650	25,59	671	26,42	791	31,14	848	33,39	993	39,09
L1	245	9,65	305	12,01	356	14,02	385	15,16	454	17,87	441	17,36	559	22,01
T	45	1,77	45	1,77	45	1,77	51,5	2,03	51,5	2,03	69	2,72	69	2,72
V	50	1,97	50	1,97	50	1,97	70	2,76	70	2,76	90	3,54	90	3,54
W	57	2,24	57	2,24	58	2,28	81	3,19	80	3,15	102	4,02	102	4,02
X	405	15,93	405	15,93	405	15,93	499	19,65	499	19,65	621	24,45	621	24,45
Y	12	0,47	12	0,47	12	0,47	14	0,55	14	0,55	18	0,71	18	0,71
ØZ*	42	1,65	42	1,65	42	1,65	48	1,89	48	1,89	65	2,56	65	2,56
ØR	200	7,87	220	8,66	220	8,66	250	9,84	285	11,22	340	13,39	340	13,39
Ør	160	6,30	180	7,09	180	7,09	210	8,27	240	9,45	295	11,61	295	11,61
ØDN	80	3,15	100	3,94	100	3,94	125	4,92	150	5,91	200	7,87	200	7,87
ØP	18	0,71	18	0,71	18	0,71	18	0,71	18	0,71	22	0,87	22	0,87
ØS	18	0,71	18	0,71	18	0,71	18	0,71	22	0,87	22	0,87	22	0,87
n	8		8		8		8		8		8		8	

* Fitting tolerance range : m6