

hibon®



FRASERWOODS

FABRICATION & MACHINING LTD.



Multistage Centrifugal Blower

475 High Performance series

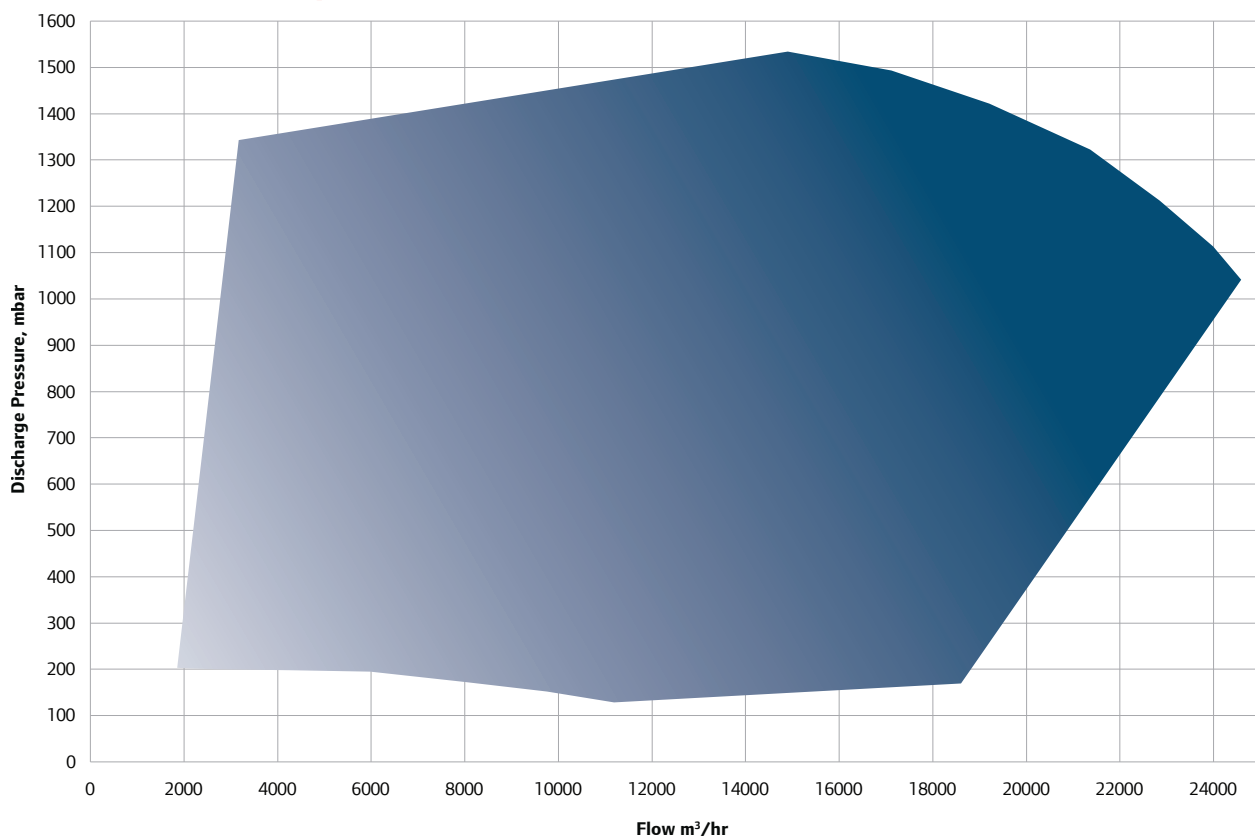
Hibon Ingersoll Rand presents new state-of-the-art technology in Multistage Centrifugal Blowers. This model offers a wide range of design features and incorporates energy efficiency improvements, complying with the strictest operational requirements of a variety of applications. Multistage blowers are ideally suited for operations where a variable flow at constant pressure is required. Hibon is a worldwide leader in Multistage Centrifugal Blower technology with thousands of units installed around the globe.

Technical Data

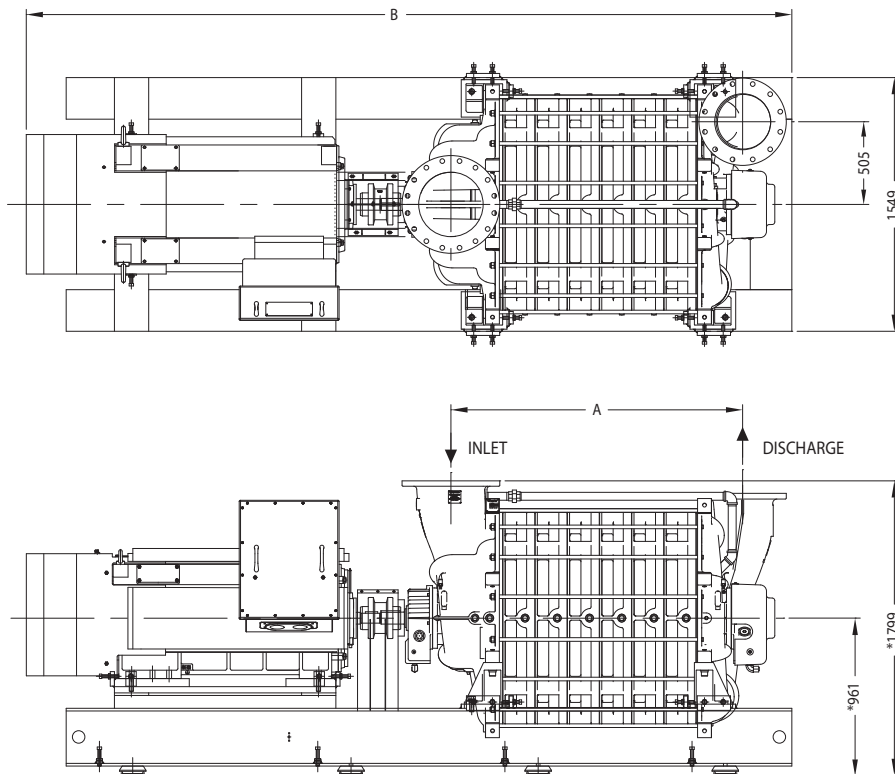
- Number of stages: 1 through 8 (9 at 50 Hz)
- Inlet connection: 400 mm, Flange ANSI 125# drilling
- Outlet connection: 350 mm, Flange ANSI 125# drilling
- Operating speed: 3570 RPM
- Shaft seals: Labyrinth (air) & Carbon rings (special gas)
- Bearings: Long life, balls, single row, AFBMA B-10 std
- Lubrication: Oil
- Max casing pressure: 1.7 bar
- Impeller diameter: 736.6 mm
- Impeller tip speed: 138 m/s at 3570 RPM
- Drive: Direct or gear increaser
- Shaft end: 73.03 mm / square key 19 mm
- Rotor balance: Each impeller & complete rotating assemblies are dynamically balanced as per ISO G2.5
- Casing drainage: 1/2" NPT (heads & sections)
- Cooling: Fan (if needed)
- Balance piston: Standard
- Jacking bolts: Standard for motor and blower alignment
- Machine mounting pads: Standard for blower and motor
- Impeller eye seal: Axial labyrinth type for improved efficiency

Performance Air Map

(Based on Inlet Conditions at 20°C, 1013 mbar and 36% RH)



Dimensional Data:



Materials of construction

- Casing: Cast Iron ASTM A48 class 30B
- Bearing housing: Cast Iron ASTM A48 class 30B
- Tie rods: High strength carbon steel ASTM A193-B7
- Section seals (O-rings): Fluorocarbon
- Shaft: Carbon steel AISI 4140 (Std) or Stainless (Option)
- Impellers: Cast Aluminum
- Baffle rings: Stainless steel 304
- Base: Structural carbon steel

MODEL	A	B	ROTOR WK ²	Wt. (Blower only)
	mm	mm	kg. m ²	kg
475.02	798	Consult factory	3.1	2048
475.03	995		4.5	2515
475.04	1191		5.9	2982
475.05	1388		7.3	3449
475.06	1585		8.8	3916
475.07	1782		10.2	4383
475.08	1979		11.2	4850
475.09	2176		12.8	5317

Values in the table and on the drawing are approximate.
* The package height might change slightly due to the vibration isolator selection.

hibon[®]Lube



Use Hibon Lube regularly in your blowers to insure optimum performance and maximum life.

Each 1 Liter bottle of Hibon Lube is furnished with convenient peel-off labels that can be used as reminders for the next oil change.



Authorized Sales, Service and Repair Facility
120 - 10293 276 Street
Acheson, Alberta, Canada T7X 6A5
Tel: 780 962-1827 Fax: 780 962-1830
Website: www.fraserwoods.ca
Email: info@fraserwoods.ca

Ingersoll Rand Industrial Technologies provides products, services and solutions to enhance the efficiency and productivity of our commercial, industrial and process customers. Our innovative products include air compressors, air systems components, tools, pumps, material and fluid handling systems and microturbines. Ingersoll Rand compressors are not designed, intended or approved for breathing air applications. Ingersoll Rand does not approve specialized equipment for breathing air applications and assumes no responsibility or liability for compressors used for breathing air service. Nothing contained on these pages is intended to extend any warranty or representation, expressed or implied, regarding the product described herein. Any such warranties or other terms and conditions of sale of products shall be in accordance with Ingersoll Rand's standard terms and conditions of sale for such products, which are available upon request. Product improvement is a continuing goal at Ingersoll Rand. Designs and specifications are subject to change without notice or obligation.

Ingersoll Rand Air Solutions Hibon[®]
2 avenue Jean-Paul Sartre, 59290 WASQUEHAL France
Tel +33 (0) 3 20 45 39 45 (ligne directe)
Fax +33 (0) 3 20 45 39 20 (Fax Service)
www.hibon.com www.ingersollrand.com
email : hibon@irco.com

Low Pressure Business Unit / Air Solutions
Ingersoll Rand Industrial Technologies
12055, Cote de Liesse, Dorval, Quebec
Canada, H9P 1B4
Tel: 514 631-3501
Fax: 514 631-3502



©2013 Ingersoll-Rand Company