

## NX2

NX series blowers due to their innovative design offer many advantages to the end user. The NX series blowers can be used as a direct replacement for most SN series blowers allowing a simple upgrade solution while minimizing downtime.

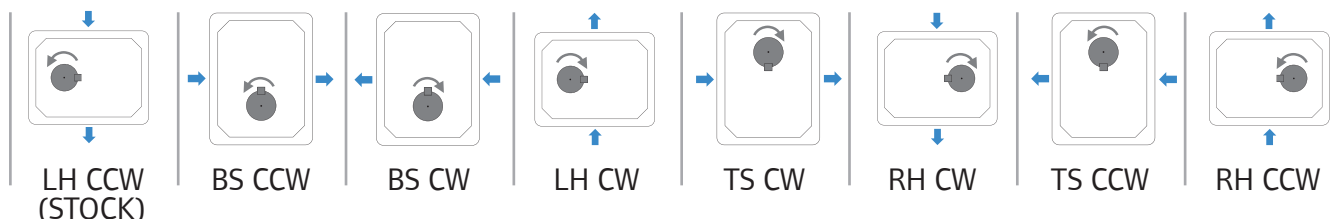
### NX series features

- Three lobe impellers
- Drop-in replacement of the SN series blowers
- Pre-set internal clearances
- Large capacity oil sump
- High flow oil thrower disc
- Set of standardized spare parts

### Benefits

- Reliability and durability
- Ease of maintenance and pre-set clearances for reassembly
- Efficient Design, lower discharge temperatures
- Better bearing lubrication
- Less frequent oil changes

### Configurations



Configuration	With feet option	Without feet
LH CCW	F0141 501 001	F0141 501 00
BS CCW	F0141 501 101	F0141 501 10
BS CW	F0141 501 111	F0141 501 11
LH CW	F0141 501 011	F0141 501 01
TS CW	F0141 501 211	F0141 501 21
RH CW	F0141 501 311	F0141 501 31
TS CCW	F0141 501 201	F0141 501 20
RH CCW	F0141 501 301	F0141 501 30

- ↻ Shaft rotation
- ➡ Air flow
- RH = Right hand shaft
- LH = Left hand shaft
- BS = Bottom shaft
- TS = Top shaft
- CW = Clockwise rotation
- CCW = Counter clockwise rotation

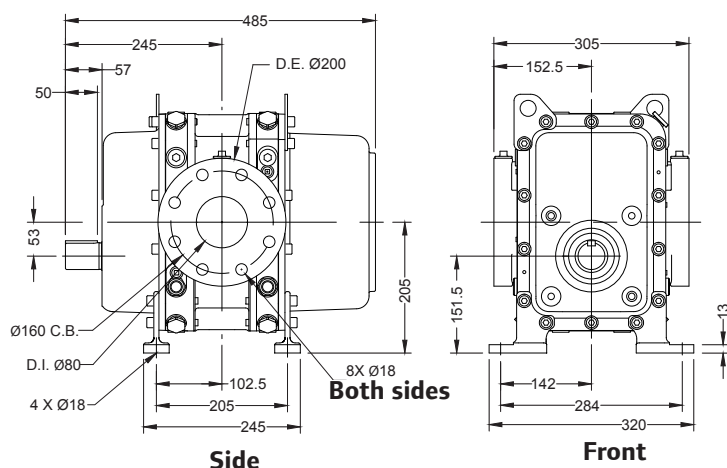
### Performance chart

20 °C / 36%RH / 1013.25 Mbar

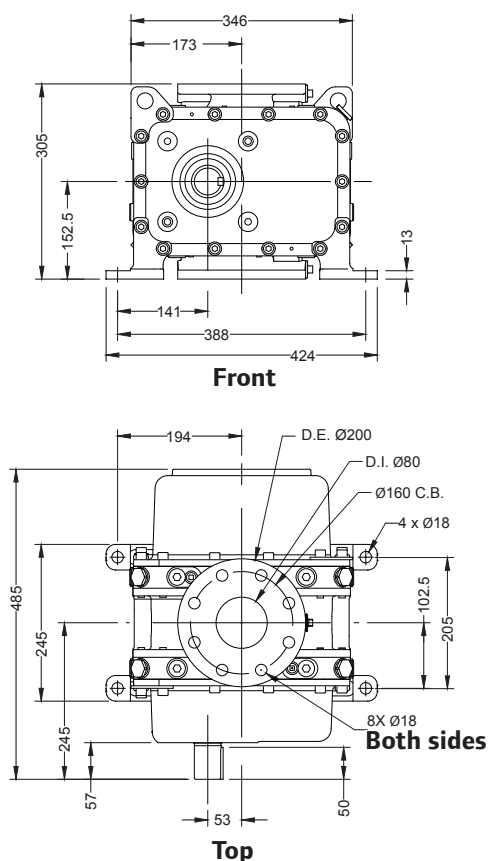
Régime (rpm)	PRESSION (MB)									
	200		400		600		800		1 000	
	M <sup>3</sup> /h	KW	M <sup>3</sup> /h	KW	M <sup>3</sup> /h	KW	M <sup>3</sup> /h	KW	M <sup>3</sup> /h	KW
1400	111	1,9	86	2,0	67	3,1	50	4,1	36	5,1
1800	158	2,5	131	2,6	111	3,9	94	5,2	79	6,5
2200	204	3,1	177	3,2	155	4,8	137	6,4	122	8,0
2600	251	3,6	222	3,8	200	5,7	181	7,6	164	8,5
3000	297	4,2	267	4,4	244	6,5	225	8,7	207	10,9
3400	344	4,7	313	4,9	288	7,4	268	9,9	250	12,4
3800	390	5,3	358	5,5	333	8,3	312	11,0	293	13,8
4200	437	5,8	403	6,1	377	9,2	355	12,2	336	15,3
4600	483	6,4	448	6,7	422	10,0	399	13,4	379	16,7
5000	530	9,3	494	7,3	466	10,9	443	14,5	422	18,2

## NX2 Dimensions

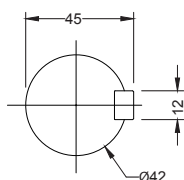
### Vertical gears



### Horizontal gears



### Shaft details



#### Notes:

1. English units (mm) unless otherwise noted.
2. Weight : 114 kg
- 3: Do not use for construction

## Spare parts

Kit 1 - STANDARD MAINTENANCE KIT	Kit 2 - SET OF RING HOLDERS	Kit 3 - SET OF GEARS	SIGHT GLASS	HIBON LUBE
<p>Contains all parts required for 40000 h. maintenance.</p>				

For more information about spares and accessories, contact your nearest Service Center or Ingersoll Rand - HiBON company.

Compressed Air Systems and Services  
 Hibon Inc  
 100 Voyageur Pointe Claire, Quebec  
 Canada, H9R 6A8  
 Tel: +1 514 631-3501  
 Fax: +1 877 584 0307  
 www.hibon.com www.ingersollrand.com

Ingersoll Rand (NYSE:IR) advances the quality of life by creating comfortable, sustainable and efficient environments. Our people and our family of brands—including Club Car®, Ingersoll Rand®, Thermo King® and Trane®—work together to enhance the quality and comfort of air in homes and buildings; transport and protect food and perishables; and increase industrial productivity and efficiency. We are a \$13 billion global business committed to a world of sustainable progress and enduring results.

ingersollrandproducts.com - hibon.com  
 We are committed to using environmentally conscious print practices

Ingersoll Rand Air Solutions Hibon®  
 2 avenue Jean-Paul Sartre, 59290 WASQUEHAL France  
 Tel +33 (0) 3 20 45 39 45 (ligne directe)  
 Fax +33 (0) 3 20 45 39 20 (Fax Service)  
 email: hibon@irco.com

