



Authorized Hibon Distributor, Warranty, Service & Repair Facility

Visit us online: www.fraserwoods.ca

VTB 8902.XL Air Injection Blower

Call **1-780-962-1827** for technical, application and sales support.

Hibon Ingersoll Rand presents new state-of-the-art technology in three-lobe, positive displacement blowers. The VTB 8902.XL offers a wide range of design features and incorporates energy efficiency improvements, complying with the strictest operational requirements of a variety of applications. The VTB XL series air-injected, high-vacuum blowers are ideally suited for the rigorous demand of the vacuum truck and industrial vacuum markets. Hibon is a worldwide leader in three-lobe positive displacement blower technology with thousands of units installed around the globe.

- Three-lobe impeller construction
- Unique air injection system
- Increased efficiency
- Clearances adjusted automatically during assembly
- Larger oil capacity
- Higher volume oil thrower
- High performance sealing arrangement using 4 piston rings
- Quieter operation than two-lobe impeller construction
- Allows high vacuum including "dead end" operation without overheating
- No oil or water cooling system (100% oil free air)
- Requires less horsepower for the same performance
- Easier maintenance
- Runs cooler
- Better lubrication of bearings
- Less frequent oil changes

Specifications

Free Air Delivery (MAX)	11400 m ³ /h
Maximum RPM	1900
Minimum RPM	1000
Max Outlet (discharge) Pressure	Atmospheric Pressure + Max Differential Pressure
Max Inlet Pressure	Atmospheric Pressure
Max Outlet Vacuum	Atmospheric Pressure
Max Inlet Vacuum	100 mbar, 1.01 x 10 ⁴ Pa, 75.75 Torr
Max Differential Pressure (inlet-outlet)	1200 mbar 1.2 x 10 ⁵ Pa, 900 Torr
Shaft Dia.	2.76" (70mm)
Drive End Lubrication	Hibon Lube
Opposite Drive End Lubrication	Hibon Lube
Drive End Cover – Horiz	9.20 Litres (2.43 US gal)
Drive End Cover – Vert	5.60 Litres (1.48 US gal)
Opp. Drive End Cover – Horiz	9.40 Litres (2.49 US gal)
Opp. Drive End Cover - Vert	5.70 Litres (1.51 US gal)
Bare Unit Weight	3278 Lbs
Container	Wood Skid
Shipping Weight on Skid	3318 Lbs
Shipping Options	Ground Freight, Air or Sea



Call **1-780-962-1827** for technical, application and sales support.

VTB 8902.XL Approximate Oil Fill Amounts

Model No. / Drive Shaft Location	Drive End Cover		Opposite Drive End Cover	
	Liters	US Gal.	Liters	US Gal.
VTB 8902.XL (Horizontal)	9.2	2.43	9.4	2.49
VTB 8902.XL (Vertical)	5.6	1.48	5.7	1.51

These capacities are provided to assist stocking the correct amount of oil. Exact sump capacity may differ slightly. Review the proper filling instructions in OEM Manual.

VTB 8902.XL Lubrication Data

Parameter	Standard Use	Special Use
Density (at 15 °C, 59 °F)	0.89	0.86
Mean pour point	21 °C (70 °F)	45 °C (113 °F)
Mean flash point	224 °C (435 °F)	260 °C (500 °F)
Viscosity: At 20 °C (68 °F)	8.09 x 10 ⁻⁴ m ² s ⁻¹ (809 cSt)	6.04 x 10 ⁻⁴ m ² s ⁻¹ (640 cSt)
At 40 °C (212 °F)	2.2 x 10 ⁻⁴ m ² s ⁻¹ (202 cSt)	2.18 x 10 ⁻⁴ m ² s ⁻¹ (218 cSt)
At 100 °C (212 °F)	1.8 x 10 ⁻⁵ m ² s ⁻¹ (18 cSt)	2.7 x 10 ⁻⁵ m ² s ⁻¹ (27 cSt)
Mean viscosity index	93	149
Recommended Oil	Hibon Lube	Contact Fraserwoods

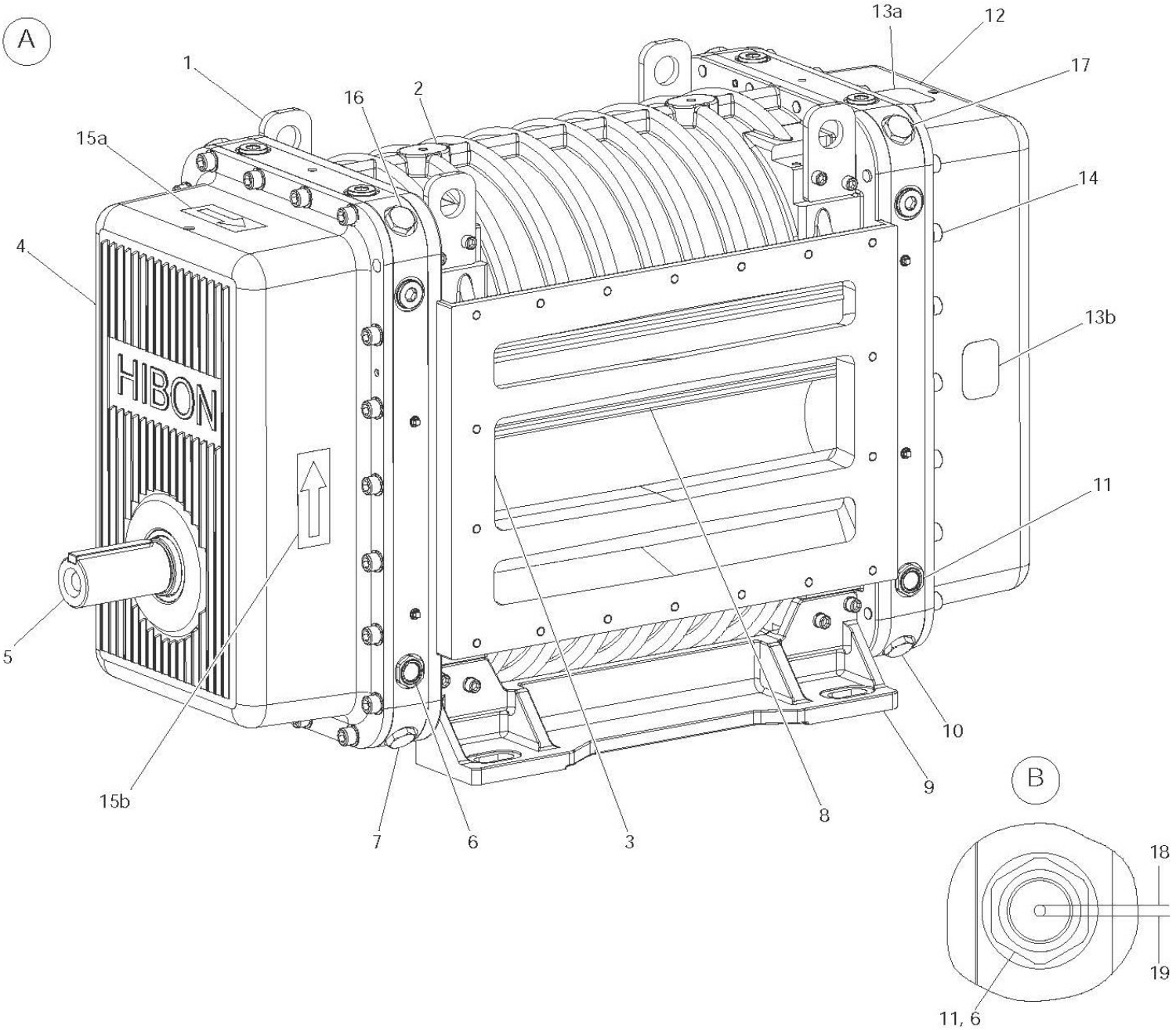
VTB 8902.XL Noise and Vibration Data

Noise Level - dB(A)	Vibration Level
125	7.5 mm.s ⁻¹ (0.30 inch s ⁻¹)

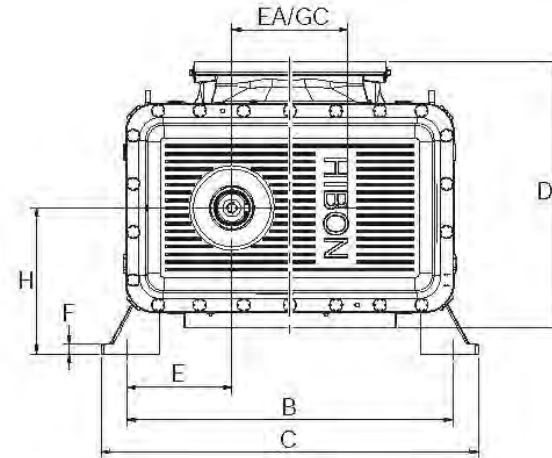
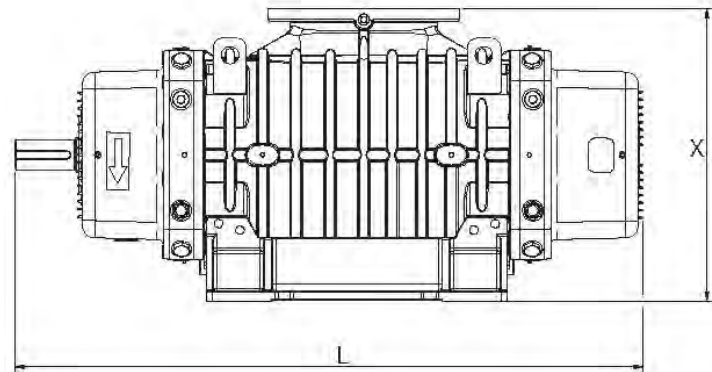
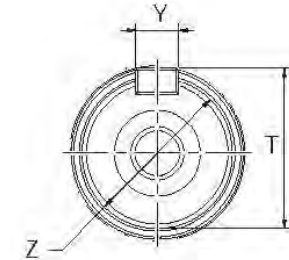
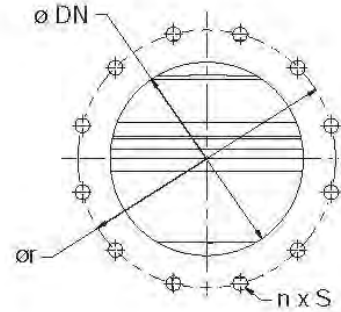
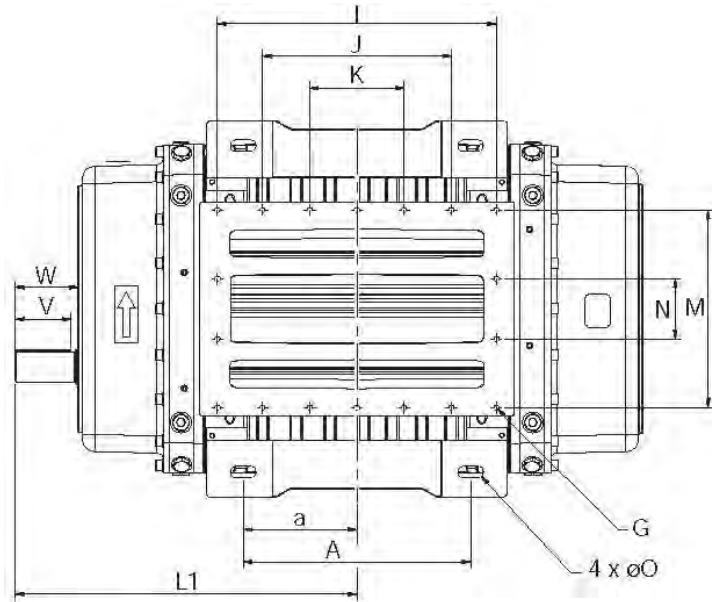
VTB 8902.XL Components

Item Number	Part Name
1	Lifting lugs
2	Inlet (behind blower)
3	Discharge (outlet)/injection ports
4	Drive end cover
5	Drive shaft
6	Oil level sight glass (drive head plate)
7	Drive end oil drain plug
8	Rotors
9	Mounting feet
10	Non drive end oil drain plug
11	Oil-level sight glass (non-drive head plate)
12	Non-drive end cover
13a	Identification and rating plate (vertical position)
13b	Identification and rating plate (horizontal position)
14	Head plate bolts
15a	Direction of rotation arrow (vertical position)
15b	Direction of rotation arrow (horizontal position)
16	Oil filler plug (drive head plate)
17	Oil filler plug (non-drive head plate)
18	Maximum oil level
19	Minimum oil level

VTB 8902.XL Blower



VTB 8902.XL Blower Dimensions: Horizontal Orientation



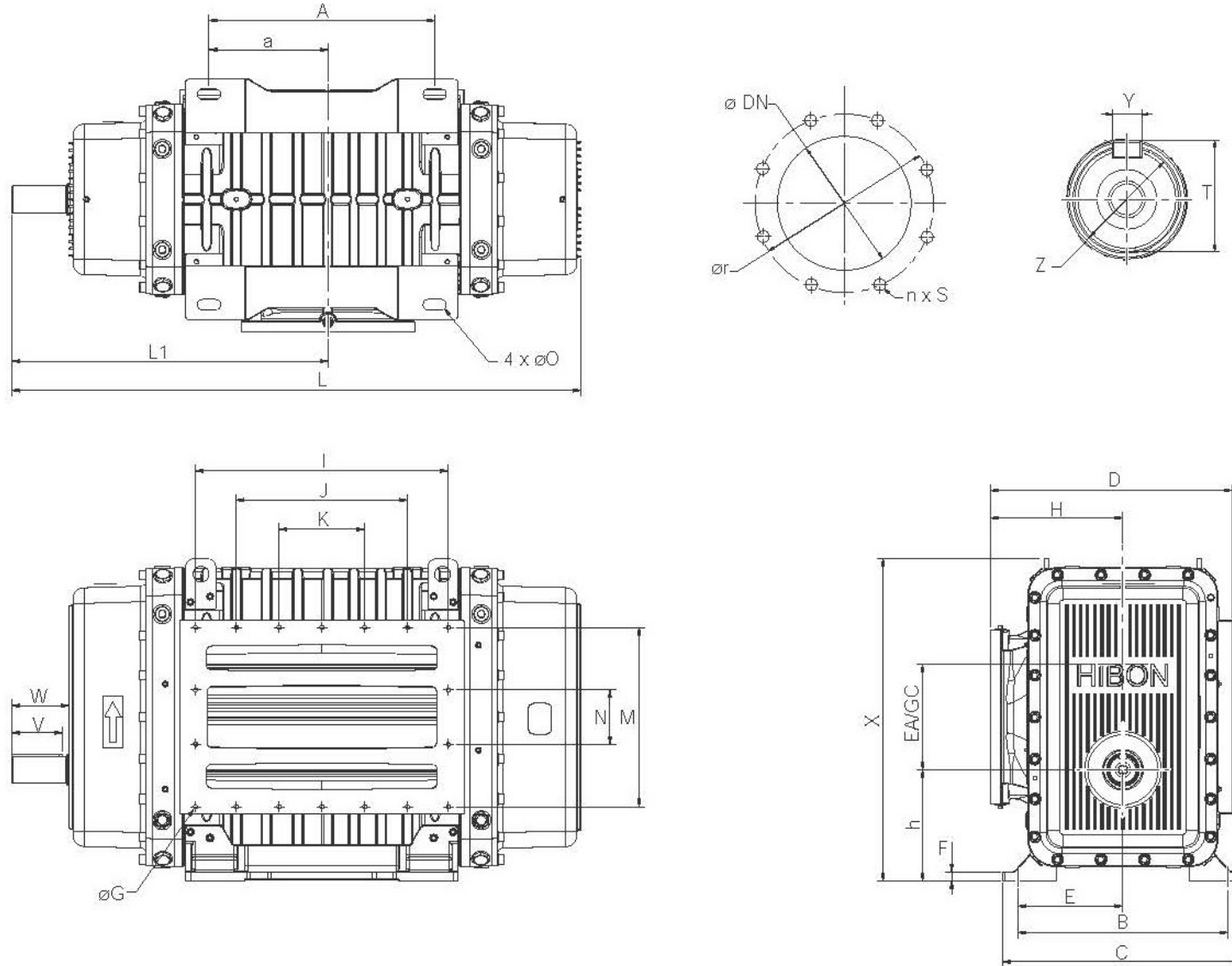
VTB 8902.XL Dimensions – Horizontal Orientation

A	a	B	C	D	E	F	GC/EA	G	h	I	J	K	L	L1
20.87	11.06	29.92	34.57	24.41	9.65	0.91	10.63	18 x M12	13.39	25.59	17.32	8.66	57.56	31.97
M	N	ØO	Ør	n x S	T	ØDN	V	W	X	Y	ØZ*	Fitting tolerance range: m6		
18.11	5.51	1.06	15.75	12 x Ø22	2.93	11.81	5.12	5.79	26.77	0.79	2.76			

© 2017 Fraserwoods Fabrication & Machining Ltd. 120 - 10293 276 Street, Acheson, Alberta, Canada T7X 6A5

T: +1(780) 962-1827 F: +1(780) 962-1830 E: sales@fraserwoods.ca www.fraserwoods.ca

VTB 8902.XL Blower Dimensions: Vertical Orientation



VTB 8902.XL Dimensions – Vertical Orientation

A	a	B	C	D	E	F	GC/EA	G	H	h	I	J	K	L
22.83	11.42	21.26	24.33	24.41	10.63	0.91	10.63	18 x M12	13.39	11.22	25.59	17.32	8.66	57.56
L1	M	N	ØO	Ør	n x S	T	ØDN	V	W	X	Y	ØZ	Fitting tolerance range: m6	
31.97	18.11	5.51	1.06	15.75	12 x Ø22	2.93	11.81	5.12	5.79	32.56	0.79	2.76		



VTB.XL Series Air injection Vacuum Blower

Better by design

With over 100 years of experience, Hicon is a market leader with a world-class range of air blowers and vacuum equipment used to provide air/gas volumes for pressure and vacuum applications.

Continuous research and development of the **hibon** Product range has led to the introduction of the new **VTB.XL** Series Air Injection blowers.

Their new design incorporates the benefits of improved assembly, lifetime reliability, better performance and interchangeability with the previous range, as well as smaller blower units.

Range


Blowers	Free air delivery* maxi
VTB 805.XL	1 007 m ³ /h
VTB 807.XL	1 570 m ³ /h
VTB 810.XL	1 901 m ³ /h
VTB 820.XL	2 822 m ³ /h
VTB 822.XL	4 635 m ³ /h
VTB 840.XL	6 492 m ³ /h
VTB 8602.XL	7 800 m ³ /h
VTB 8702.XL	9 690 m ³ /h
VTB 8902.XL	11 400 m ³ /h

* At maximum speed.

Vacuum up to 95%

Pressure up to 1 bar g. ; To 1.2 bar g. from VTB 840.XL

Features

Rotors: Three-Lobe Rotors with a one-piece, integral lobe and shaft design for improved quality and reliability. Available in **ATEX** on request.  II 2/2 G/D c, II BT3, 160° C X

Gears: Helical gears located on the opposite drive side.

Bearings: Four sized bearings for lifetime reliability.

Oil reservoir: Large oil reservoir for improved bearing lubrication.

Oil thrower: Oil thrower and oil passages for good bearing lubrication and long life.

Seals: For air : An innovative and unique design that includes 4 piston rings and a shield. **For an oil free operation :** Dynamic shaft seals arrangement with deflector.

Shaft seals: Innovative dynamic shaft seals arrangement.

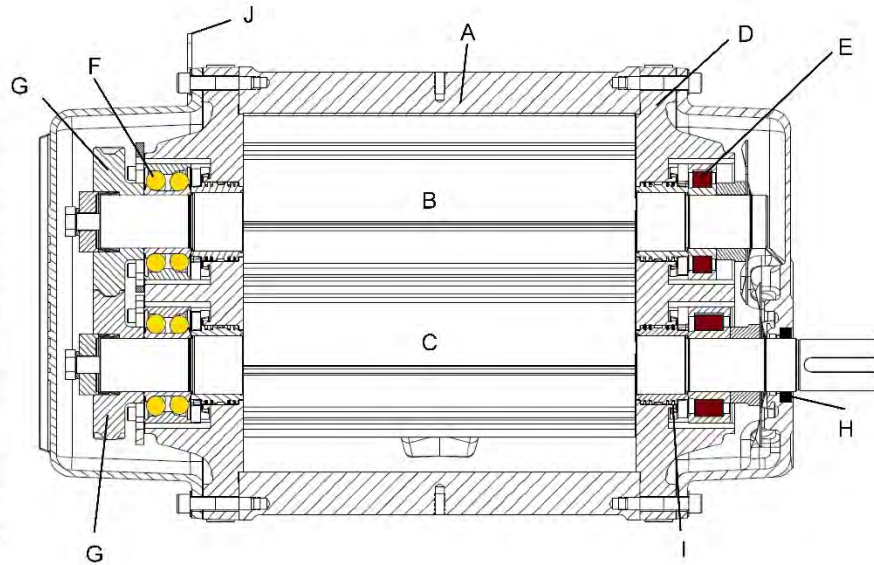


Cleaner
Lower running costs
Maintenance free



Part Description

A	Housing
B	Driven Rotor
C	Drive Rotor
D	Head Plate
E	Roller bearings
F	Boll bearings
G	Gears
H	SCP ring
I	Piston ring seals
J	Lifting lugs



Benefits

- No oil or water cooling system
- High mechanical and volumetric efficiency
- Lifetime reliability
- 100% oil free air
- Blowers without maintenance for 40,000 hours (except oil each year).
- Interchangeability with the previous range (except VTB822.XL)
- Lifting lugs
- Option: Mounting feet

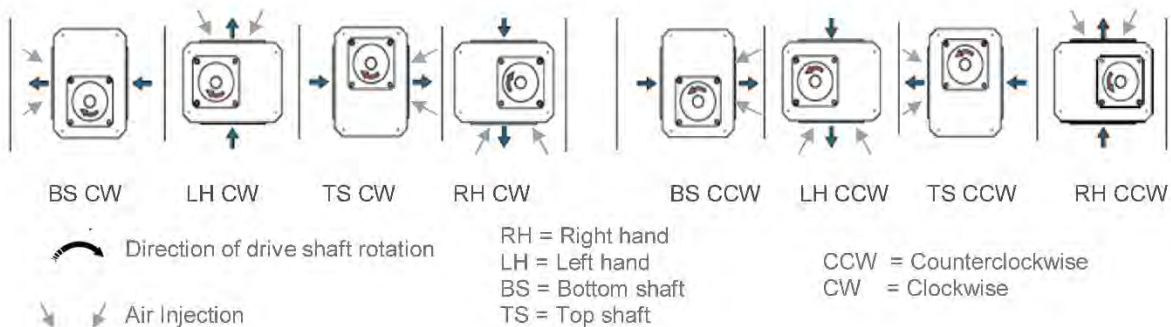
Applications

Hibon® VTB.XL series are the only dry positive displacement blowers able to reach 95% vacuum. The special design of this «Environmentally green pump» eliminates water cooling, heat exchangers, oil consumption and effluent.

Typical applications are :

- Mobile waste handling units, industrial, municipal wet and dry.
- Pneumatic conveying (fly ash, chemicals pharmaceuticals product...).
- Central vacuum systems (packaging, envelope manufacturing...)

Configurations



Performances

** For intermittent use only. (15 min / hour)

VTB 8902.XL

RPM	Volume displacement m ³ /h	50% Vacuum		60% Vacuum		70% Vacuum		80% Vacuum		90% Vacuum	
		m ³ /h	kW	m ³ /h	kW	m ³ /h	kW	m ³ /h	kW	m ³ /h	kW
1000	6000	4833	88	4553	106	3977	122	2885	141	778	155
1500	9000	7507	133	7208	159	6447	183	5139	212	2479	233
1900	11400	9647	168	9332	202	8422	231	6943	269	3841	295



Authorized Hibon Distributor, Service & Repair Facility

120 – 10293 276 ST, Acheson, Alberta, Canada T7X 6A5

T: 780.962.1827 F: 780.962.1830 E: sales@fraserwoods.ca

www.fraserwoods.ca