



Authorized Hibon Distributor, Warranty, Service & Repair Facility

Visit us online: www.fraserwoods.ca

VTB 805.XL Air Injection Blower

Call **1-780-962-1827** for technical, application and sales support.

Hibon Ingersoll Rand presents new state-of-the-art technology in three-lobe, positive displacement blowers. The VTB 805.XL offers a wide range of design features and incorporates energy efficiency improvements, complying with the strictest operational requirements of a variety of applications. The VTB XL series air-injected, high-vacuum blowers are ideally suited for the rigorous demand of the vacuum truck and industrial vacuum markets. Hibon is a worldwide leader in three-lobe positive displacement blower technology with thousands of units installed around the globe.

- Three-lobe impeller construction
- Unique air injection system
- Increased efficiency
- Clearances adjusted automatically during assembly
- Larger oil capacity
- Higher volume oil thrower
- High performance sealing arrangement using 4 piston rings
- Quieter operation than two-lobe impeller construction
- Allows high vacuum including "dead end" operation without overheating
- No oil or water cooling system (100% oil free air)
- Requires less horsepower for the same performance
- Easier maintenance
- Runs cooler
- Better lubrication of bearings
- Less frequent oil changes

Specifications

Max Vacuum	27" Hg
CFM	605
Maximum RPM	4800
Minimum RPM	2600
Max Outlet (discharge) Pressure	Atmospheric Pressure + Max Differential Pressure
Max Inlet Pressure	Atmospheric Pressure
Max Outlet Vacuum	Atmospheric Pressure
Max Inlet Vacuum	100 mbar, 1.01 x 10 ⁴ Pa, 75.75 Torr
Max Differential Pressure (inlet-outlet)	1100 mbar 1.1 x 10 ⁵ Pa, 825 Torr
Shaft Dia.	1.65" (42mm)
Drive End Lubrication	Hibon Lube
Opposite Drive End Lubrication	Hibon Lube
Drive End Cover – Horiz	0.83 Litres (0.22 US gal)
Drive End Cover – Vert	0.5 Litres (0.13 US gal)
Opp. Drive End Cover – Horiz	1.3 Litres (0.30 US gal)
Opp. Drive End Cover - Vert	0.75 Litres (0.20 US gal)
Bare Unit Weight	280 Lbs
Container	Wood Skid
Shipping Weight on Skid	320 lbs
Shipping Options	Ground Freight, Air or Sea



Call **1-780-962-1827** for technical, application and sales support.

VTB 805.XL Approximate Oil Fill Amounts

Model No. / Drive Shaft Location	Drive End Cover		Opposite Drive End Cover	
	Liters	US Gal.	Liters	US Gal.
VTB 805.XL (Horizontal)	0.83	0.22	1.13	0.30
VTB 805.XL (Vertical)	0.5	0.13	0.75	0.2

These capacities are provided to assist stocking the correct amount of oil. Exact sump capacity may differ slightly. Review the proper filling instructions in OEM Manual.

VTB 805.XL Lubrication Data

Parameter	Standard Use	Special Use
Density (at 15 °C, 59 °F)	0.89	0.86
Mean pour point	21 °C (70 °F)	45 °C (113 °F)
Mean flash point	224 °C (435 °F)	260 °C (500 °F)
Viscosity: At 20 °C (68 °F)	8.09 x 10 ⁻⁴ m ² s ⁻¹ (809 cSt)	6.04 x 10 ⁻⁴ m ² s ⁻¹ (640 cSt)
At 40 °C (212 °F)	2.2 x 10 ⁻⁴ m ² s ⁻¹ (202 cSt)	2.18 x 10 ⁻⁴ m ² s ⁻¹ (218 cSt)
At 100 °C (212 °F)	1.8 x 10 ⁻⁵ m ² s ⁻¹ (18 cSt)	2.7 x 10 ⁻⁵ m ² s ⁻¹ (27 cSt)
Mean viscosity index	93	149
Recommended Oil	Hibon Lube	Contact Fraserwoods

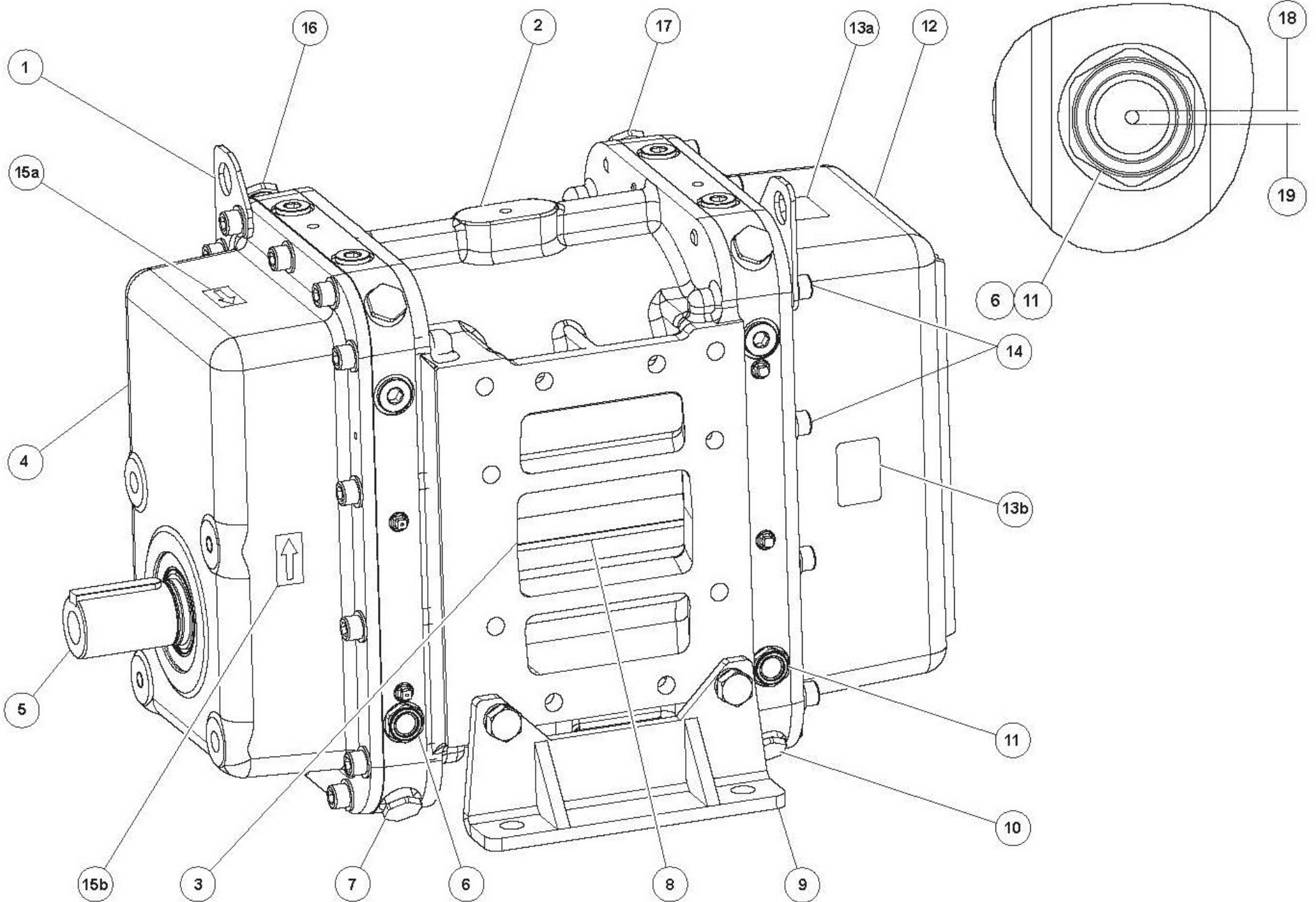
VTB 805.XL Noise and Vibration Data

Noise Level - dB(A)	Vibration Level
110	4.5 mm.s ⁻¹ (0.18 inch s ⁻¹)

VTB 805.XL Components

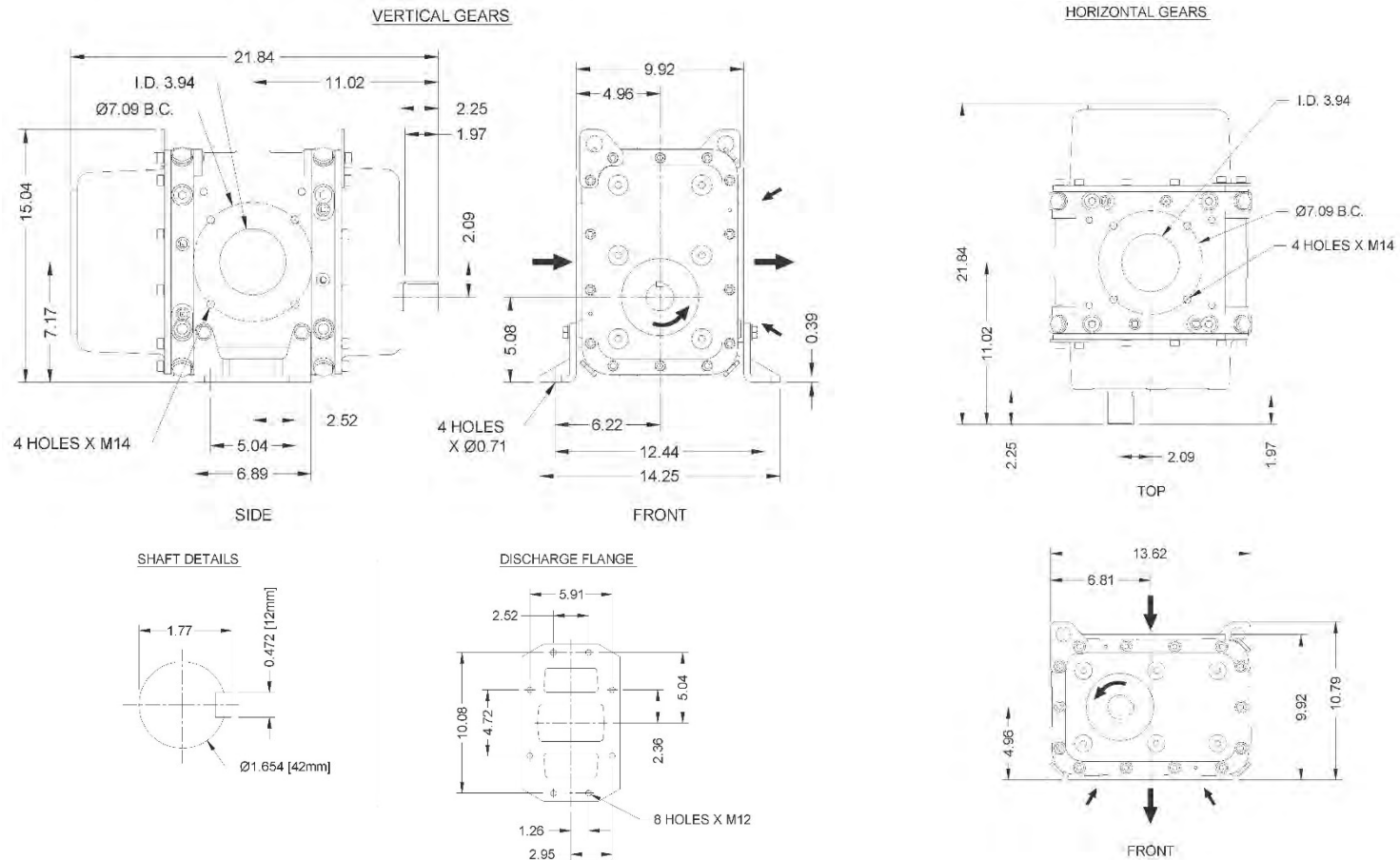
Item Number	Part Name
1	Lifting lugs
2	Inlet (behind blower)
3	Discharge (outlet)/injection ports
4	Drive end cover
5	Drive shaft
6	Oil level sight glass (drive head plate)
7	Drive end oil drain plug
8	Rotors
9	Mounting feet
10	Non drive end oil drain plug
11	Oil-level sight glass (non-drive head plate)
12	Non-drive end cover
13a	Identification and rating plate (vertical position)
13b	Identification and rating plate (horizontal position)
14	Head plate bolts
15a	Direction of rotation arrow (vertical position)
15b	Direction of rotation arrow (horizontal position)
16	Oil filler plug (drive head plate)
17	Oil filler plug (non-drive head plate)
18	Maximum oil level
19	Minimum oil level

VTB 805.XL Blower

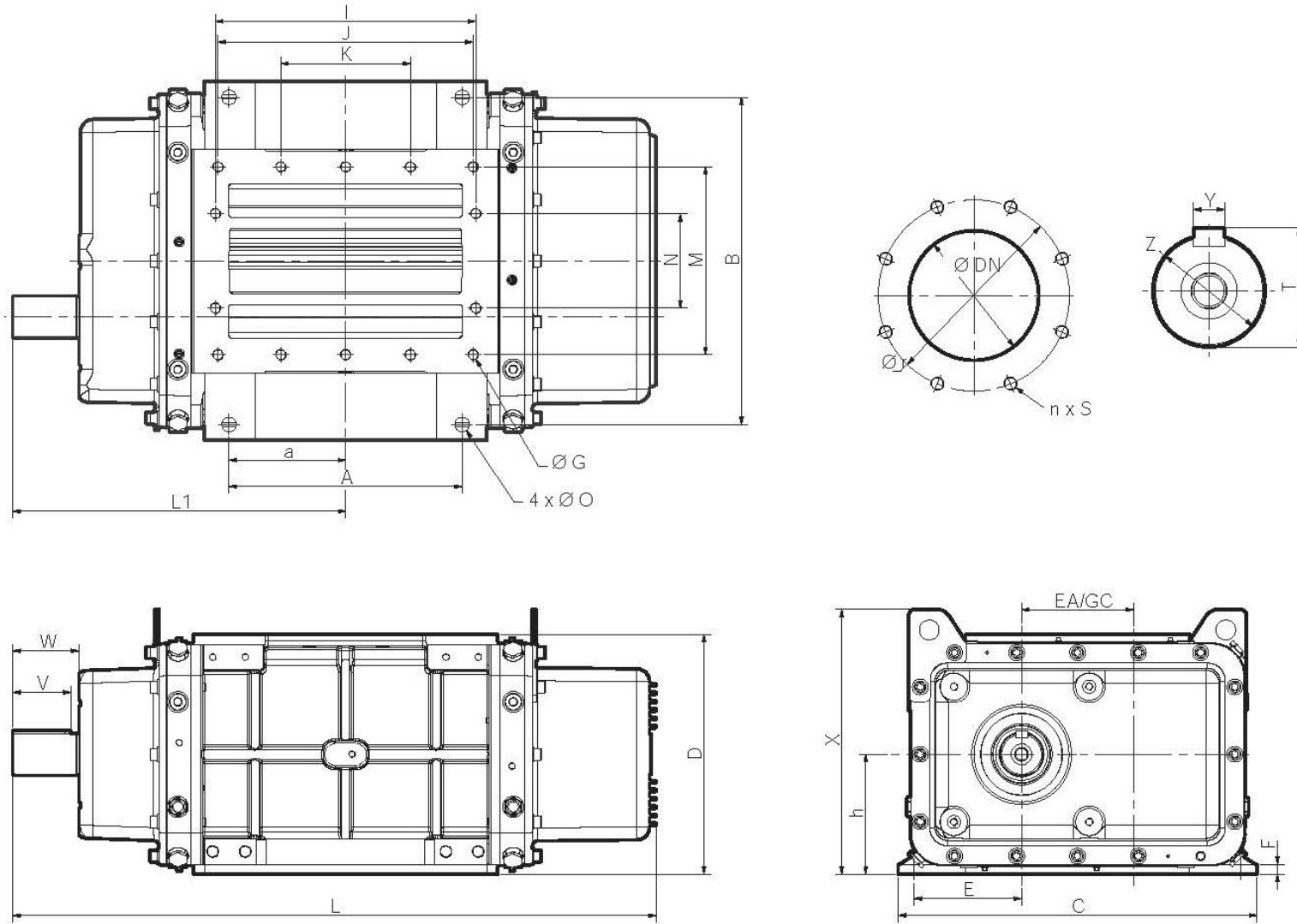


BLOWER	SPEED RPM	VACUUM PERFORMANCE															
		9" Hg		12" Hg		15" Hg		18" Hg		21" Hg		24" Hg		26" Hg		27" Hg	
		CFM	BHP	CFM	BHP	CFM	BHP	CFM	BHP	CFM	BHP	CFM	BHP	CFM	BHP	CFM	BHP
VTB 805.XL (605 CFM*) *Volume Displacement at Maximum Speed	2600	262	7	250	9	226	11	203	13	171	15	67	17	-	-	-	-
	2900	297	8	285	10	262	12	240	15	207	17	102	19	-	-	-	-
	3200	332	9	320	11	299	14	277	16	243	19	137	21	29	24	-	-
	3500	367	10	355	13	336	15	313	18	279	21	172	23	64	26	-	-
	3800	402	11	391	14	372	17	350	20	315	23	207	26	100	28	-	-
	4000	425	12	414	15	397	18	374	21	339	24	231	27	124	30	-	-
	4200	448	13	437	16	421	19	399	22	363	25	254	28	148	32	13	33
	4400	471	14	461	17	446	20	423	24	387	27	277	30	172	33	40	34
	4600	495	14	484	18	470	21	448	25	441	28	301	31	195	35	67	36
	4800	518	15	508	19	495	22	472	26	435	29	324	33	219	37	94**	38**

** For intermittent use only (15 min/hour)



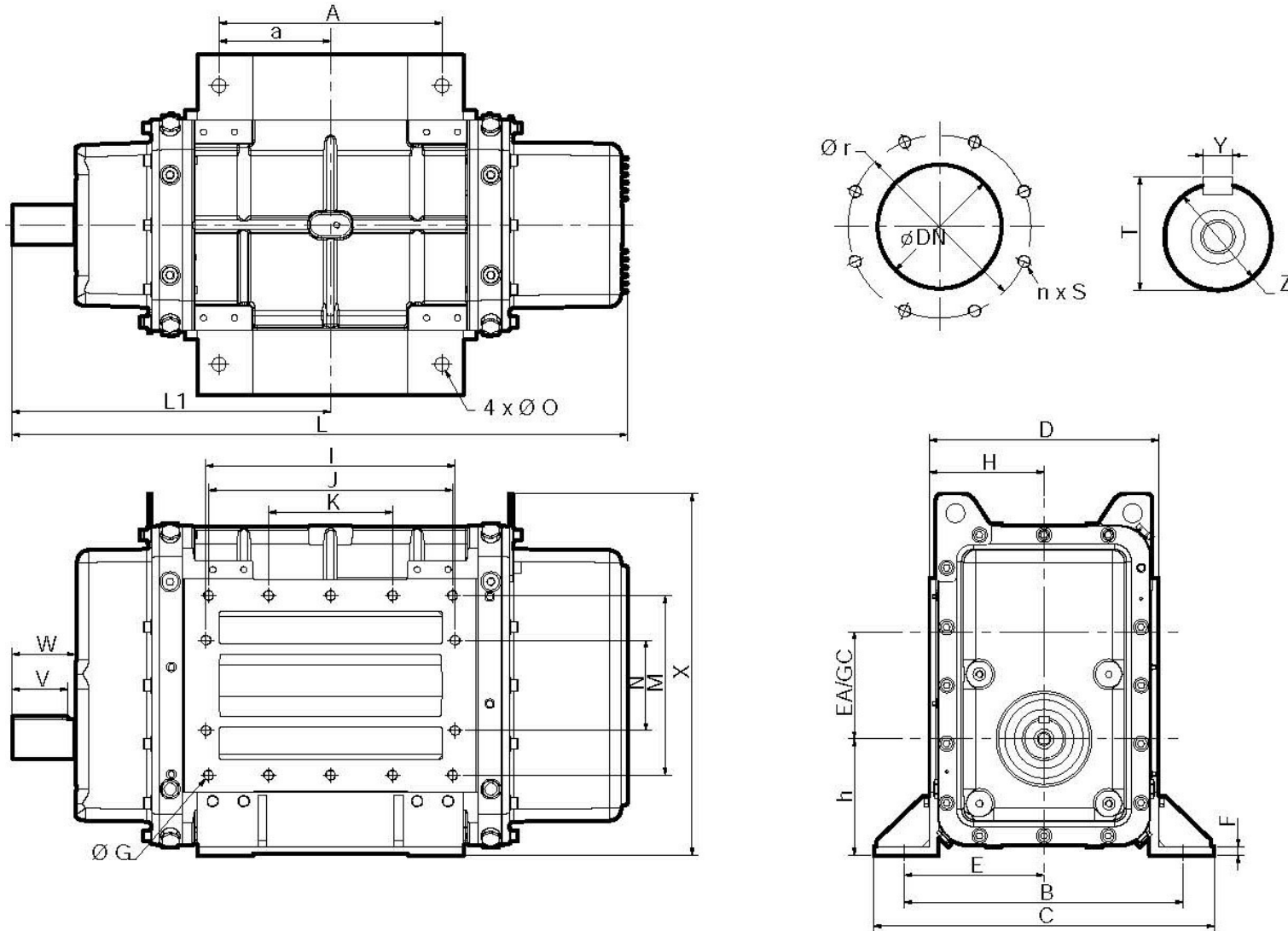
VTB 805.XL Blower Dimensions: Horizontal Orientation



VTB 805.XL Dimensions – Horizontal Orientation

A	a	B	C	D	E	F	GC/EA	G	h	I	J	K	L	L1
-	-	-	13.62	9.92	-	-	4.17	8 x M12	4.96	5.91	2.52	-	21.85	11.02
M	N	ØO	Ør	n x S	T	ØDN	V	W	X	Y	ØZ*	<ul style="list-style-type: none"> Fitting tolerance range: m6 		
10.08	4.72	-	7.09	4 x M14	1.77	3.94	1.97	2.24	10.79	0.47	1.65			

VTB 805.XL Blower Dimensions: Vertical Orientation



VTB 805.XL Dimensions – Vertical Orientation

A	a	B	C	D	E	F	GC/EA	G	H	h	I	J	K	L
5.04	2.52	12.44	14.25	9.92	6.22	0.39	4.17	8 x M12	4.96	5.08	5.91	2.52	-	21.85
L1	M	N	ØO	Ør	n x S	T	ØDN	V	W	X	Y	ØZ		
11.02	10.08	4.72	0.71	7.09	4 x M14	1.77	3.94	1.97	2.24	15.04	0.47	1.65		



VTB.XL Series

Air injection Vacuum Blower

Better by design

With over 100 years of experience, Hibon is a market leader with a world-class range of air blowers and vacuum equipment used to provide air/gas volumes for pressure and vacuum applications.

Continuous research and development of the **hibon** Product range has led to the introduction of the new **VTB.XL** Series Air Injection blowers.

Their new design incorporates the benefits of improved assembly, lifetime reliability, better performance and interchangeability with the previous range, as well as smaller blower units.

Range


Blowers	Free air delivery* maxi
VTB 805.XL	1 007 m ³ /h
VTB 807.XL	1 570 m ³ /h
VTB 810.XL	1 901 m ³ /h
VTB 820.XL	2 822 m ³ /h
VTB 822.XL	4 635 m ³ /h
VTB 840.XL	6 492 m ³ /h
VTB 8602.XL	7 800 m ³ /h
VTB 8702.XL	9 690 m ³ /h
VTB 8902.XL	11 400 m ³ /h

* At maximum speed.

Vacuum up to 95%

Pressure up to 1 bar g. ; To 1.2 bar g. from VTB 840.XL

Features

Rotors: Three-Lobe Rotors with a one-piece, integral lobe and shaft design for improved quality and reliability. Available in **ATEX** on request.  II 2/2 G/D c, II BT3, 160° C X

Gears: Helical gears located on the opposite drive side.

Bearings: Four sized bearings for lifetime reliability.

Oil reservoir: Large oil reservoir for improved bearing lubrication.

Oil thrower: Oil thrower and oil passages for good bearing lubrication and long life.

Seals: For air : An innovative and unique design that includes 4 piston rings and a shield. **For an oil free operation :** Dynamic shaft seals arrangement with deflector.

Shaft seals: Innovative dynamic shaft seals arrangement.

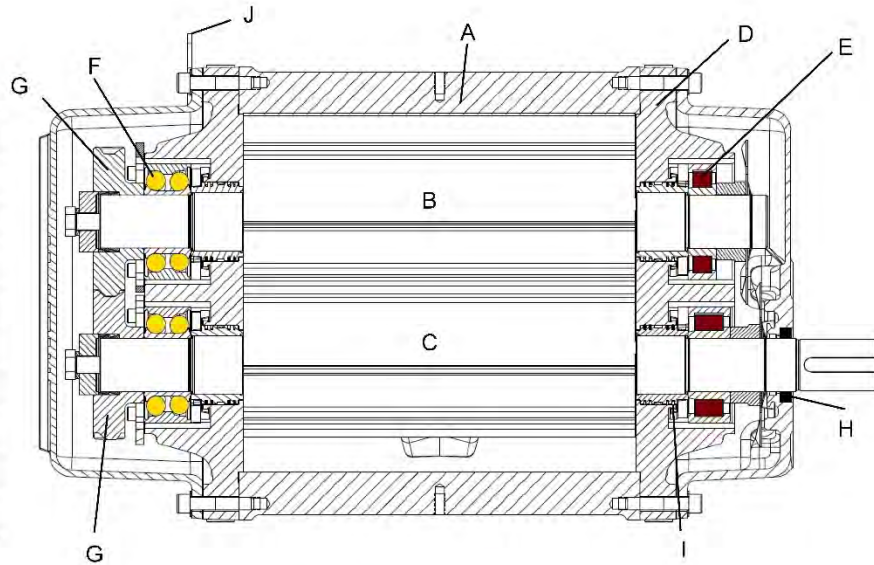


Cleaner
Lower running costs
Maintenance free



Part Description

A	Housing
B	Driven Rotor
C	Drive Rotor
D	Head Plate
E	Roller bearings
F	Boll bearings
G	Gears
H	SCP ring
I	Piston ring seals
J	Lifting lugs



Benefits

- No oil or water cooling system
- High mechanical and volumetric efficiency
- Lifetime reliability
- 100% oil free air
- Blowers without maintenance for 40,000 hours (except oil each year).
- Interchangeability with the previous range (except VTB822.XL)
- Lifting lugs
- Option: Mounting feet

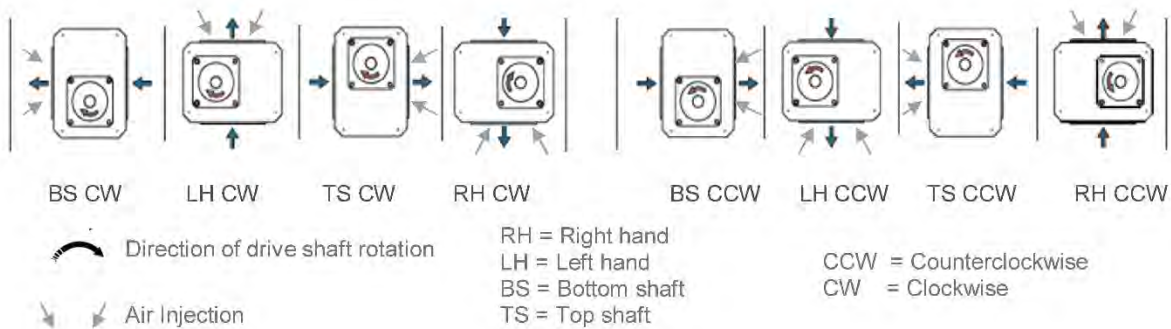
Applications

Hibon® VTB.XL series are the only dry positive displacement blowers able to reach 95% vacuum. The special design of this «Environmentally green pump» eliminates water cooling, heat exchangers, oil consumption and effluent.

Typical applications are :

- Mobile waste handling units, industrial, municipal wet and dry.
- Pneumatic conveying (fly ash, chemicals pharmaceuticals product...).
- Central vacuum systems (packaging, envelope manufacturing...)

Configurations



Performances

** For intermittent use only. (15 min / hour)

VTB 805.XL													
RPM	Volume displacement	50% Vacuum		60% Vacuum		70% Vacuum		80% Vacuum		87% Vacuum		90% Vacuum	
	m ³ /h	m ³ /h	kW	m ³ /h	kW	m ³ /h	kW	m ³ /h	kW	m ³ /h	kW	m ³ /h	kW
2600	546	383	8	345	10	290	11	114	13	-	-	-	-
2900	608	446	9	408	11	351	13	173	14	-	-	-	-
3200	671	508	10	470	12	413	14	233	16	48	18	-	-
3500	734	570	11	532	14	474	16	292	17	109	19	-	-
3800	797	633	13	594	15	535	17	352	19	170	21	-	-
4000	839	674	13	636	16	576	18	392	20	210	22	-	-
4200	881	716	14	677	17	617	19	431	21	251	24	23	24
4400	923	757	15	719	18	658	20	471	22	292	25	69	26
4600	965	799	16	761	18	699	21	511	23	332	26	114	27
4800	1007	840	16	802	19	740	22	551	24	373	27	160 **	28 **



Authorized Hicon Distributor, Service & Repair Facility

120 – 10293 276 ST, Acheson, Alberta, Canada T7X 6A5

T: 780.962.1827 F: 780.962.1830 E: sales@fraserwoods.ca

www.fraserwoods.ca