



Authorized Hibon Distributor, Warranty, Service & Repair Facility

Visit us online: www.fraserwoods.ca

VTB 8702.XL Air Injection Blower

Call **1-780-962-1827** for technical, application and sales support.

Hibon Ingersoll Rand presents new state-of-the-art technology in three-lobe, positive displacement blowers. The VTB 8702.XL offers a wide range of design features and incorporates energy efficiency improvements, complying with the strictest operational requirements of a variety of applications. The VTB XL series air-injected, high-vacuum blowers are ideally suited for the rigorous demand of the vacuum truck and industrial vacuum markets. Hibon is a worldwide leader in three-lobe positive displacement blower technology with thousands of units installed around the globe.

- Three-lobe impeller construction
- Unique air injection system
- Increased efficiency
- Clearances adjusted automatically during assembly
- Larger oil capacity
- Higher volume oil thrower
- High performance sealing arrangement using 4 piston rings
- Quieter operation than two-lobe impeller construction
- Allows high vacuum including “dead end” operation without overheating
- No oil or water cooling system (100% oil free air)
- Requires less horsepower for the same performance
- Easier maintenance
- Runs cooler
- Better lubrication of bearings
- Less frequent oil changes

Specifications

Free Air Delivery (MAX)	9690 m ³ /h
Maximum RPM	2000
Minimum RPM	1000
Max Outlet (discharge) Pressure	Atmospheric Pressure + Max Differential Pressure
Max Inlet Pressure	Atmospheric Pressure
Max Outlet Vacuum	Atmospheric Pressure
Max Inlet Vacuum	100 mbar, 1.01 x 10 ⁴ Pa, 75.75 Torr
Max Differential Pressure (inlet-outlet)	1200 mbar 1.2 x 10 ⁵ Pa, 900 Torr
Shaft Dia.	2.76" (70mm)
Drive End Lubrication	Hibon Lube
Opposite Drive End Lubrication	Hibon Lube
Drive End Cover – Horiz	9.20 Litres (2.43 US gal)
Drive End Cover – Vert	5.60 Litres (1.48 US gal)
Opp. Drive End Cover – Horiz	9.40 Litres (2.49 US gal)
Opp. Drive End Cover - Vert	5.70 Litres (1.51 US gal)
Bare Unit Weight	2756 Lbs
Container	Wood Skid
Shipping Weight on Skid	2806 Lbs
Shipping Options	Ground Freight, Air or Sea



Call **1-780-962-1827** for technical, application and sales support.

VTB 8702.XL Approximate Oil Fill Amounts

Model No. / Drive Shaft Location	Drive End Cover		Opposite Drive End Cover	
	Liters	US Gal.	Liters	US Gal.
VTB 8702.XL (Horizontal)	9.2	2.43	9.4	2.49
VTB 8702.XL (Vertical)	5.6	1.48	5.7	1.51

These capacities are provided to assist stocking the correct amount of oil. Exact sump capacity may differ slightly. Review the proper filling instructions in OEM Manual.

VTB 8702.XL Lubrication Data

Parameter	Standard Use	Special Use
Density (at 15 °C, 59 °F)	0.89	0.86
Mean pour point	21 °C (70 °F)	45 °C (113 °F)
Mean flash point	224 °C (435 °F)	260 °C (500 °F)
Viscosity: At 20 °C (68 °F)	8.09 x 10 ⁻⁴ m ² s ⁻¹ (809 cSt)	6.04 x 10 ⁻⁴ m ² s ⁻¹ (640 cSt)
At 40 °C (212 °F)	2.2 x 10 ⁻⁴ m ² s ⁻¹ (202 cSt)	2.18 x 10 ⁻⁴ m ² s ⁻¹ (218 cSt)
At 100 °C (212 °F)	1.8 x 10 ⁻⁵ m ² s ⁻¹ (18 cSt)	2.7 x 10 ⁻⁵ m ² s ⁻¹ (27 cSt)
Mean viscosity index	93	149
Recommended Oil	Hibon Lube	Contact Fraserwoods

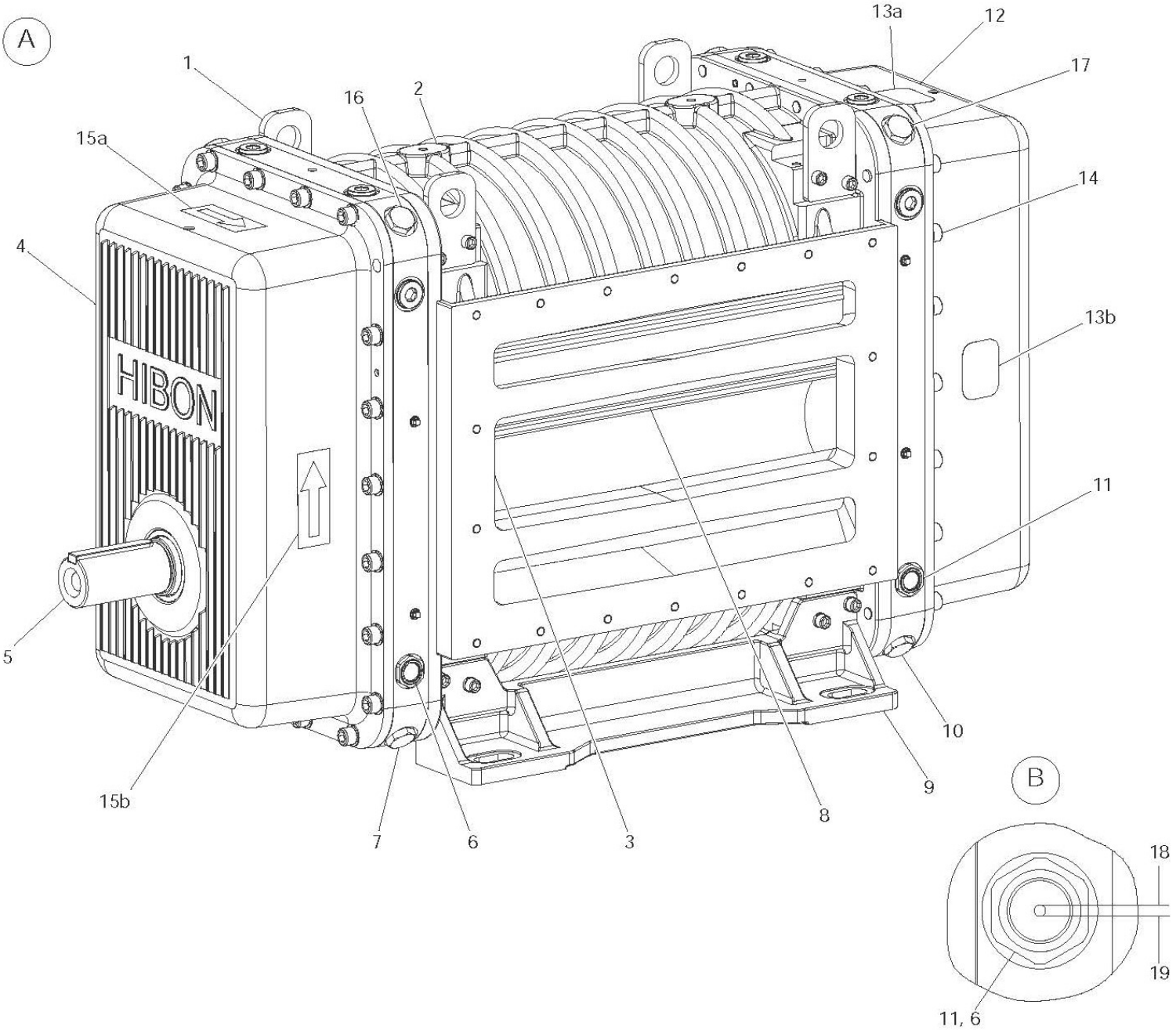
VTB 8702.XL Noise and Vibration Data

Noise Level - dB(A)	Vibration Level
124	7.5 mm.s ⁻¹ (0.30 inch s ⁻¹)

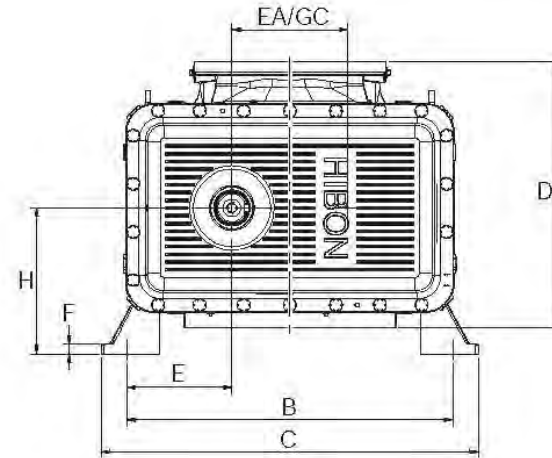
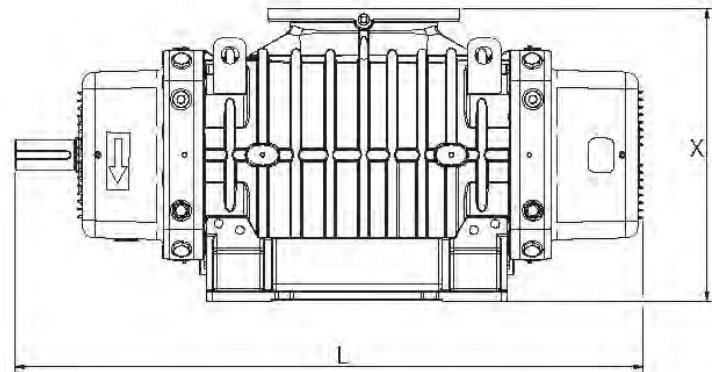
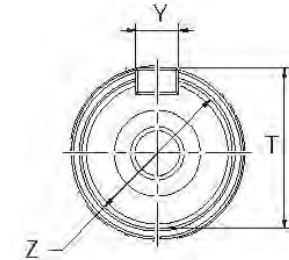
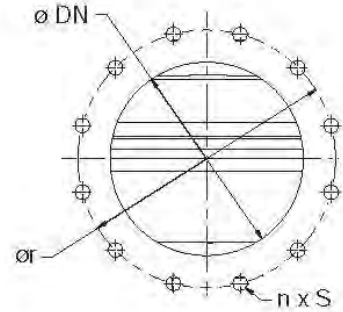
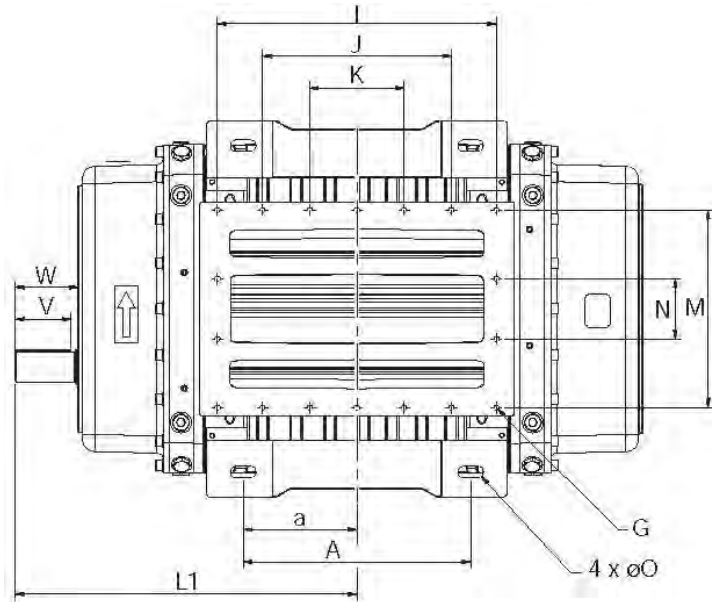
VTB 8702.XL Components

Item Number	Part Name
1	Lifting lugs
2	Inlet (behind blower)
3	Discharge (outlet)/injection ports
4	Drive end cover
5	Drive shaft
6	Oil level sight glass (drive head plate)
7	Drive end oil drain plug
8	Rotors
9	Mounting feet
10	Non drive end oil drain plug
11	Oil-level sight glass (non-drive head plate)
12	Non-drive end cover
13a	Identification and rating plate (vertical position)
13b	Identification and rating plate (horizontal position)
14	Head plate bolts
15a	Direction of rotation arrow (vertical position)
15b	Direction of rotation arrow (horizontal position)
16	Oil filler plug (drive head plate)
17	Oil filler plug (non-drive head plate)
18	Maximum oil level
19	Minimum oil level

VTB 8702.XL Blower



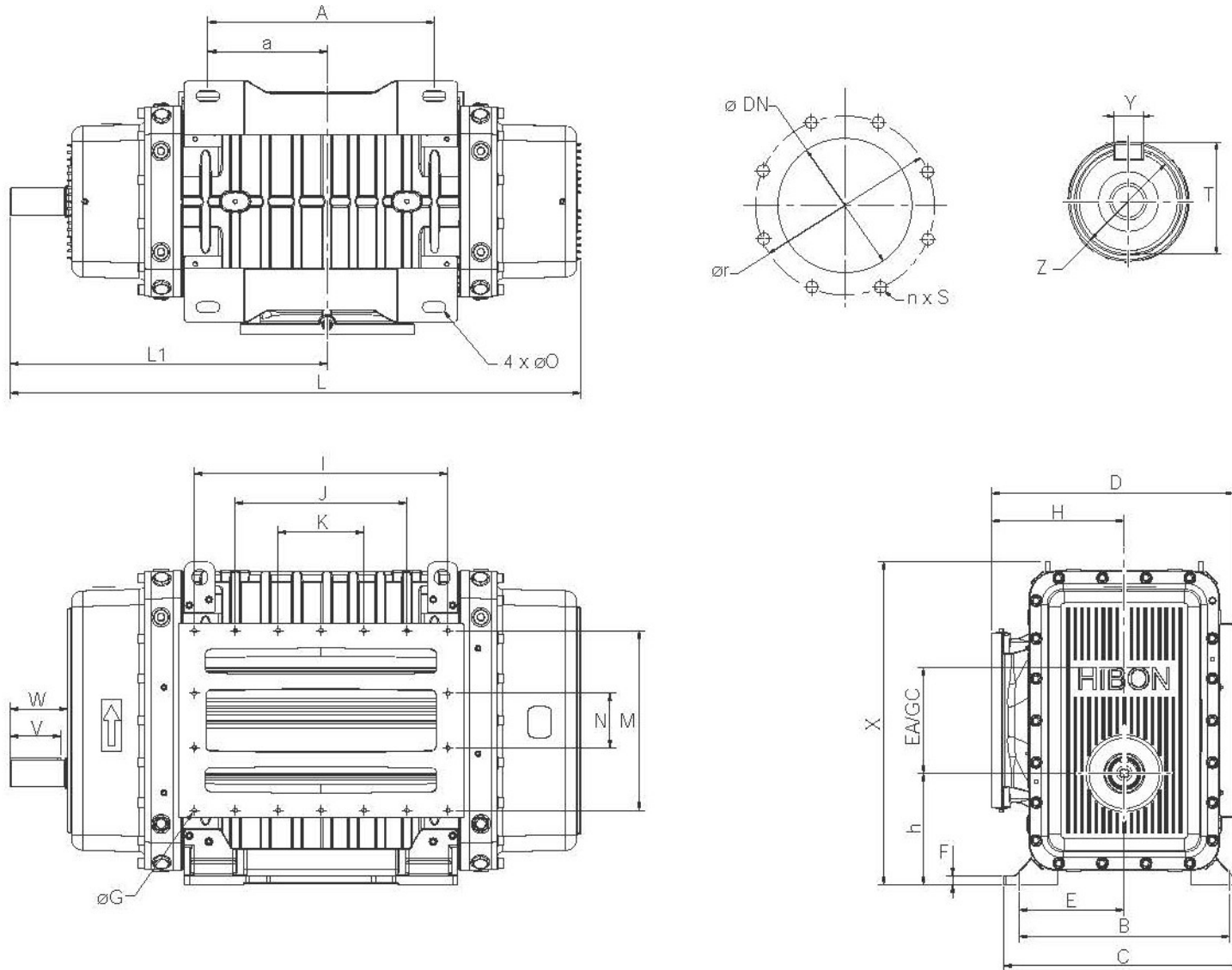
VTB 8702.XL Blower Dimensions: Horizontal Orientation



VTB 8702.XL Dimensions – Horizontal Orientation

A	a	B	C	D	E	F	GC/EA	G	h	I	J	K	L	L1
16.93	9.02	27.95	32.68	24.41	8.66	0.91	10.63	14 x M12	13.39	-	19.61	9.84	51.81	29.02
M	N	ØO	Ør	n x S	T	ØDN	V	W	X	Y	ØZ*	Fitting tolerance range: m6		
18.11	5.51	1.06	1.06	12 x Ø22	2.93	11.81	5.12	5.79	26.77	0.79	2.76			

VTB 8702.XL Blower Dimensions: Vertical Orientation



VTB 8702.XL Dimensions – Vertical Orientation

A	a	B	C	D	E	F	GC/EA	G	H	h	I	J	K	L
16.93	9.02	21.26	23.62	24.41	10.63	0.91	10.63	14 x M12	13.39	11.22	-	19.61	9.84	51.81
L1	M	N	ØO	Ør	n x S	T	ØDN	V	W	X	Y	ØZ	Fitting tolerance range: m6	
29.02	18.11	5.51	1.06	15.75	12 x Ø22	2.93	11.81	5.12	5.79	32.56	0.79	2.76		



VTB.XL Series Air injection Vacuum Blower

Better by design

With over 100 years of experience, Hicon is a market leader with a world-class range of air blowers and vacuum equipment used to provide air/gas volumes for pressure and vacuum applications.

Continuous research and development of the **hibon** Product range has led to the introduction of the new **VTB.XL** Series Air Injection blowers.

Their new design incorporates the benefits of improved assembly, lifetime reliability, better performance and interchangeability with the previous range, as well as smaller blower units.

Range


Blowers	Free air delivery* maxi
VTB 805.XL	1 007 m ³ /h
VTB 807.XL	1 570 m ³ /h
VTB 810.XL	1 901 m ³ /h
VTB 820.XL	2 822 m ³ /h
VTB 822.XL	4 635 m ³ /h
VTB 840.XL	6 492 m ³ /h
VTB 8602.XL	7 800 m ³ /h
VTB 8702.XL	9 690 m ³ /h
VTB 8902.XL	11 400 m ³ /h

* At maximum speed.

Vacuum up to 95%

Pressure up to 1 bar g. ; To 1.2 bar g. from VTB 840.XL

Features

Rotors: Three-Lobe Rotors with a one-piece, integral lobe and shaft design for improved quality and reliability. Available in **ATEX** on request.  **II 2/2 G/D c, II BT3, 160° C X**

Gears: Helical gears located on the opposite drive side.

Bearings: Four sized bearings for lifetime reliability.

Oil reservoir: Large oil reservoir for improved bearing lubrication.

Oil thrower: Oil thrower and oil passages for good bearing lubrication and long life.

Seals: For air : An innovative and unique design that includes 4 piston rings and a shield. **For an oil free operation :** Dynamic shaft seals arrangement with deflector.

Shaft seals: Innovative dynamic shaft seals arrangement.

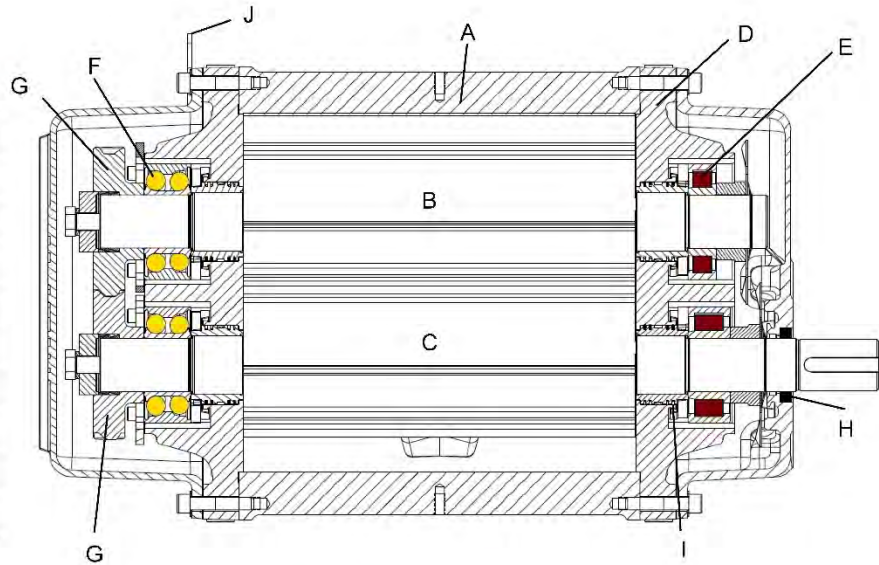


Cleaner
Lower running costs
Maintenance free



Part Description

A	Housing
B	Driven Rotor
C	Drive Rotor
D	Head Plate
E	Roller bearings
F	Boll bearings
G	Gears
H	SCP ring
I	Piston ring seals
J	Lifting lugs



Benefits

- No oil or water cooling system
- High mechanical and volumetric efficiency
- Lifetime reliability
- 100% oil free air
- Blowers without maintenance for 40,000 hours (except oil each year).
- Interchangeability with the previous range (except VTB822.XL)
- Lifting lugs
- Option: Mounting feet

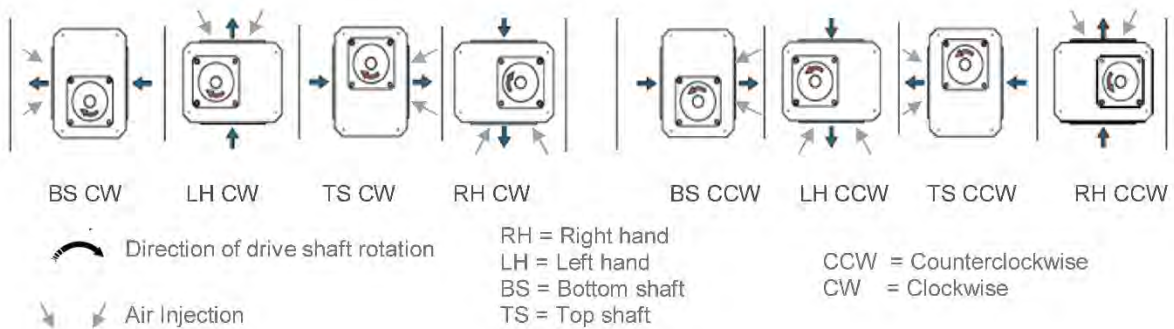
Applications

Hibon® VTB.XL series are the only dry positive displacement blowers able to reach 95% vacuum. The special design of this «Environmentally green pump» eliminates water cooling, heat exchangers, oil consumption and effluent.

Typical applications are :

- Mobile waste handling units, industrial, municipal wet and dry.
- Pneumatic conveying (fly ash, chemicals pharmaceuticals product...).
- Central vacuum systems (packaging, envelope manufacturing...)

Configurations



Performances

** For intermittent use only. (15 min / hour)

VTB 8702.XL

RPM	Volume displacement	50% Vacuum		60% Vacuum		70% Vacuum		80% Vacuum		90% Vacuum	
	m ³ /h	m ³ /h	kW	m ³ /h	kW	m ³ /h	kW	m ³ /h	kW	m ³ /h	kW
1000	4845	3734	75	3393	86	2902	106	1725	114	-	-
1500	7260	6016	113	5714	128	5126	158	3931	171	1800	203
2000	9690	8298	151	8036	171	7352	211	6137	228	3808	271



Authorized Hibon Distributor, Service & Repair Facility

120 – 10293 276 ST, Acheson, Alberta, Canada T7X 6A5

T: 780.962.1827 F: 780.962.1830 E: sales@fraserwoods.ca

www.fraserwoods.ca