



Authorized Hibon Distributor, Warranty, Service & Repair Facility

Visit us online: www.fraserwoods.ca

VTB 840.XL Air Injection Blower

Call **1-780-962-1827** for technical, application and sales support.

Hibon Ingersoll Rand presents new state-of-the-art technology in three-lobe, positive displacement blowers. The VTB 840.XL offers a wide range of design features and incorporates energy efficiency improvements, complying with the strictest operational requirements of a variety of applications. The VTB XL series air-injected, high-vacuum blowers are ideally suited for the rigorous demand of the vacuum truck and industrial vacuum markets. Hibon is a worldwide leader in three-lobe positive displacement blower technology with thousands of units installed around the globe.

- Three-lobe impeller construction
- Unique air injection system
- Increased efficiency
- Clearances adjusted automatically during assembly
- Larger oil capacity
- Higher volume oil thrower
- High performance sealing arrangement using 4 piston rings
- Quieter operation than two-lobe impeller construction
- Allows high vacuum including "dead end" operation without overheating
- No oil or water cooling system (100% oil free air)
- Requires less horsepower for the same performance
- Easier maintenance
- Runs cooler
- Better lubrication of bearings
- Less frequent oil changes

Specifications

Max Vacuum	28" Hg
CFM	3821
Maximum RPM	2600
Minimum RPM	1000
Max Outlet (discharge) Pressure	Atmospheric Pressure + Max Differential Pressure
Max Inlet Pressure	Atmospheric Pressure
Max Outlet Vacuum	Atmospheric Pressure
Max Inlet Vacuum	100 mbar, 1.01 x 10 ⁴ Pa, 75.75 Torr
Max Differential Pressure (inlet-outlet)	1200 mbar 1.2 x 10 ⁵ Pa, 900 Torr
Shaft Dia.	2.56" (65mm)
Drive End Lubrication	Hibon Lube
Opposite Drive End Lubrication	Hibon Lube
Drive End Cover – Horiz	6.50 Litres (1.72 US gal)
Drive End Cover – Vert	3.80 Litres (1.00 US gal)
Opp. Drive End Cover – Horiz	6.00 Litres (1.59 US gal)
Opp. Drive End Cover - Vert	4.40 Litres (1.16 US gal)
Bare Unit Weight	1708 Lbs
Container	Wood Skid
Shipping Weight on Skid	1758 Lbs
Shipping Options	Ground Freight, Air or Sea



Call **1-780-962-1827** for technical, application and sales support.

VTB 840.XL Approximate Oil Fill Amounts

Model No. / Drive Shaft Location	Drive End Cover		Opposite Drive End Cover	
	Liters	US Gal.	Liters	US Gal.
VTB 840.XL (Horizontal)	6.5	1.72	6.0	1.59
VTB 840.XL (Vertical)	3.8	1.00	4.4	1.16

These capacities are provided to assist stocking the correct amount of oil. Exact sump capacity may differ slightly. Review the proper filling instructions in OEM Manual.

VTB 840.XL Lubrication Data

Parameter	Standard Use	Special Use
Density (at 15 °C, 59 °F)	0.89	0.86
Mean pour point	21 °C (70 °F)	45 °C (113 °F)
Mean flash point	224 °C (435 °F)	260 °C (500 °F)
Viscosity: At 20 °C (68 °F)	8.09 x 10 ⁻⁴ m ² s ⁻¹ (809 cSt)	6.04 x 10 ⁻⁴ m ² s ⁻¹ (640 cSt)
At 40 °C (212 °F)	2.2 x 10 ⁻⁴ m ² s ⁻¹ (202 cSt)	2.18 x 10 ⁻⁴ m ² s ⁻¹ (218 cSt)
At 100 °C (212 °F)	1.8 x 10 ⁻⁵ m ² s ⁻¹ (18 cSt)	2.7 x 10 ⁻⁵ m ² s ⁻¹ (27 cSt)
Mean viscosity index	93	149
Recommended Oil	Hibon Lube	Contact Fraserwoods

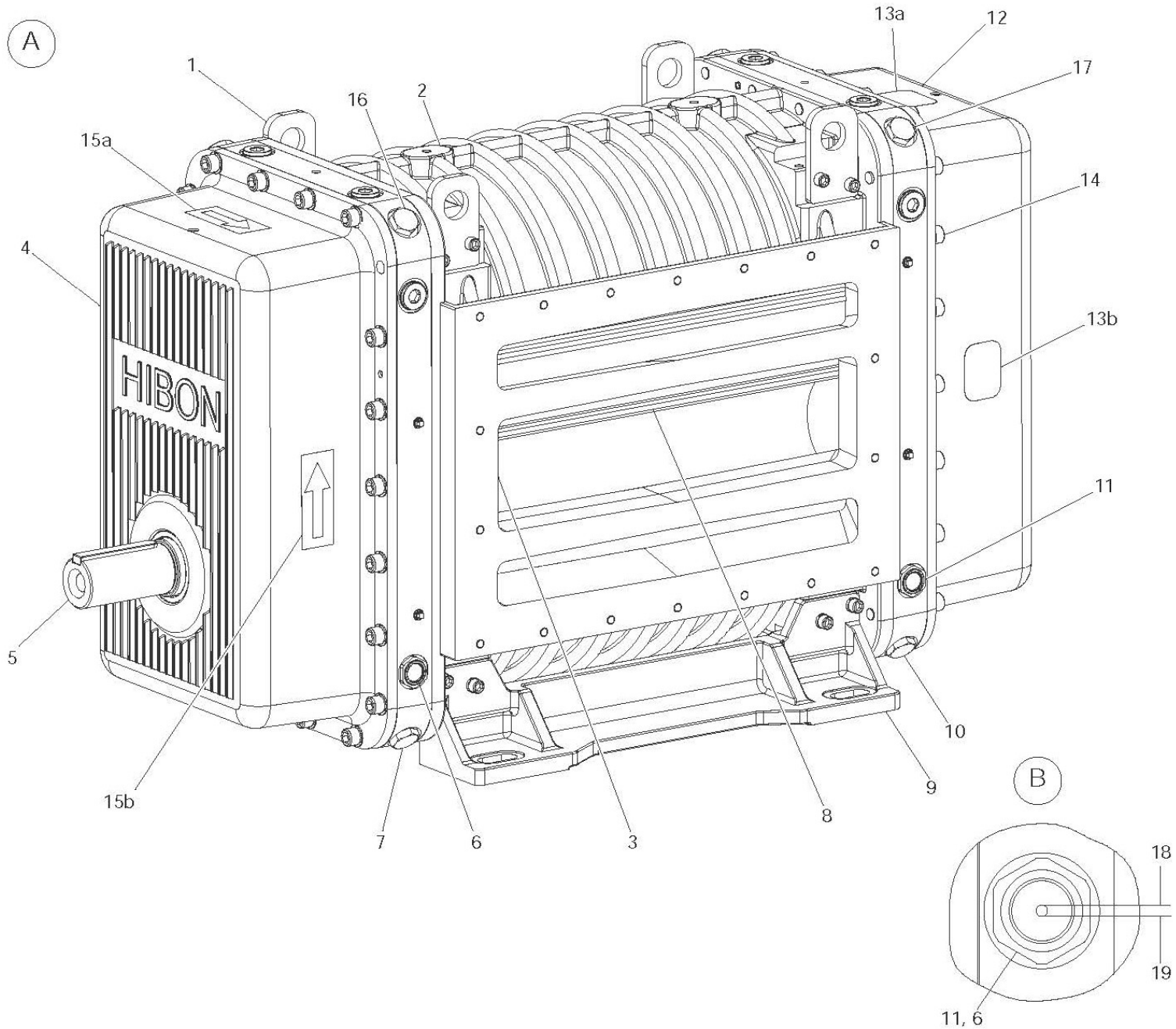
VTB 840.XL Noise and Vibration Data

Noise Level - dB(A)	Vibration Level
124	7.5 mm.s ⁻¹ (0.30 inch s ⁻¹)

VTB 840.XL Components

Item Number	Part Name
1	Lifting lugs
2	Inlet (behind blower)
3	Discharge (outlet)/injection ports
4	Drive end cover
5	Drive shaft
6	Oil level sight glass (drive head plate)
7	Drive end oil drain plug
8	Rotors
9	Mounting feet
10	Non drive end oil drain plug
11	Oil-level sight glass (non-drive head plate)
12	Non-drive end cover
13a	Identification and rating plate (vertical position)
13b	Identification and rating plate (horizontal position)
14	Head plate bolts
15a	Direction of rotation arrow (vertical position)
15b	Direction of rotation arrow (horizontal position)
16	Oil filler plug (drive head plate)
17	Oil filler plug (non-drive head plate)
18	Maximum oil level
19	Minimum oil level

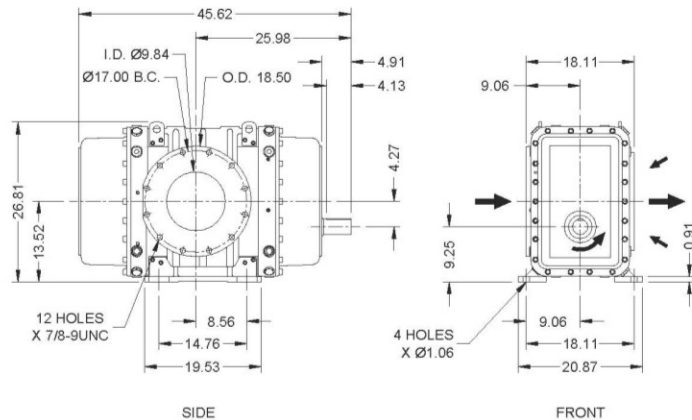
VTB 840.XL Blower



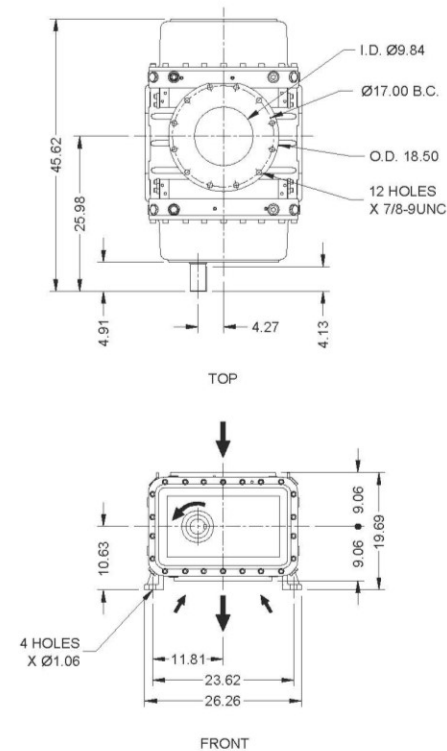
BLOWER	SPEED RPM	VACUUM PERFORMANCE															
		9" Hg		12" Hg		15" Hg		18" Hg		21" Hg		24" Hg		27" Hg		28" Hg	
		CFM	BHP	CFM	BHP	CFM	BHP	CFM	BHP	CFM	BHP	CFM	BHP	CFM	BHP	CFM	BHP
VTB 840.XL (3821 CFM*) *Volume Displacement at Maximum Speed	1000	1280	32	1211	41	1121	51	989	62	771	72	370	82	-	-	-	-
	1200	1592	38	1524	49	1437	62	1308	74	1096	86	705	98	-	-	-	-
	1400	1903	44	1839	57	1753	72	1628	86	1421	1000	1040	115	177	129	-	-
	1600	2215	51	2152	66	2069	82	1947	98	1746	115	1375	131	535	148	-	-
	1800	2527	57	2466	74	2386	92	2267	111	2071	129	1710	148	893	166	-	-
	2000	2839	63	2780	82	2702	103	2586	123	2396	143	2045	164	1251	185	-	-
	2200	3151	70	3094	90	3018	113	2905	135	2720	158	2380	181	1610	202	-	-
	2400	3463	76	3407	98	3334	123	3225	148	3045	172	2715	197	1968	221	-	-
	2600	3752	82	3709	107	3642	133	3544	160	3361	187	3034	213	-	-	BO	248

BO = Blanked Off

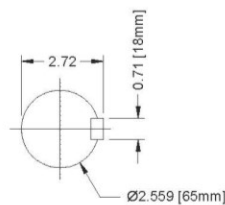
VERTICAL GEARS



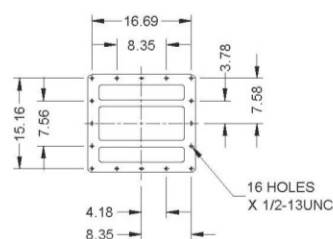
HORIZONTAL GEARS



SHAFT DETAILS

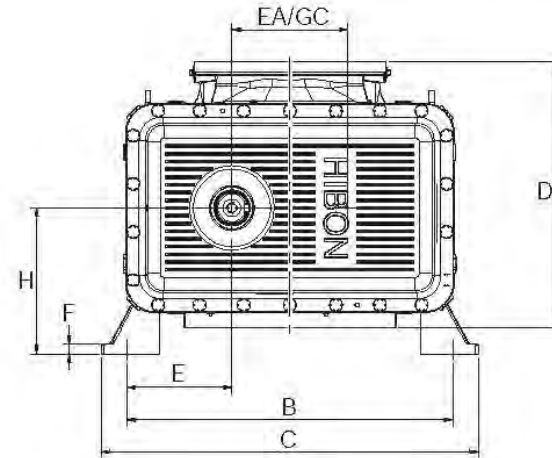
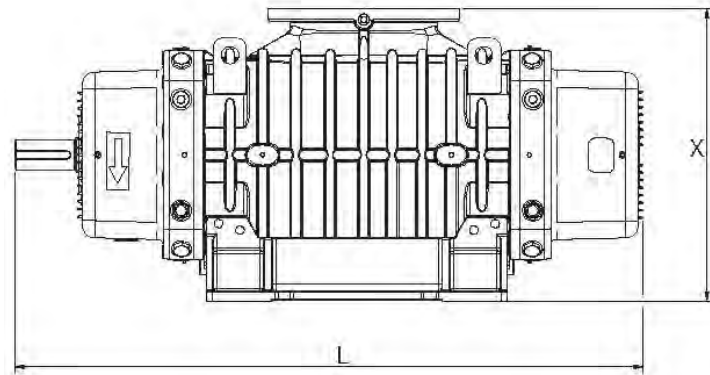
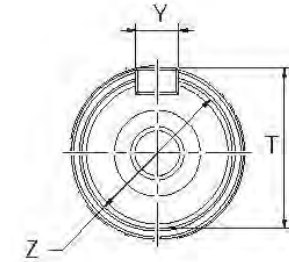
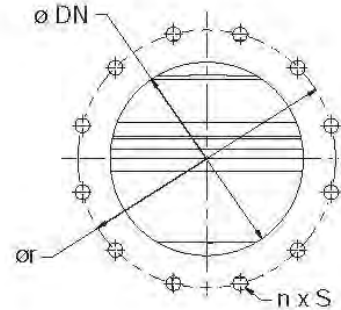
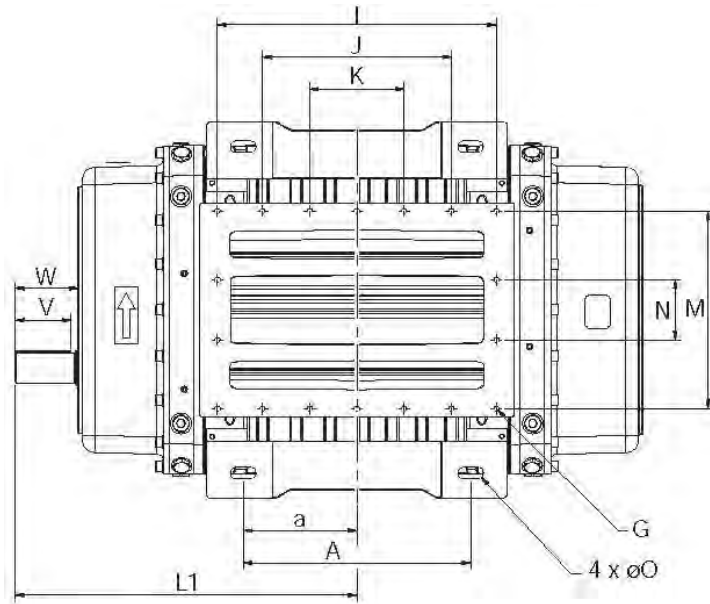


DISCHARGE FLANGE



- NOTES:
1. ENGLISH UNITS (INCH) UNLESS OTHERWISE NOTED.
 2. WEIGHT: 1708 lbs.
 3. C.W. SHAFT ROTATION ALSO AVAILABLE ON REQUEST.
 4. DO NOT USE FOR CONSTRUCTION.
 5. Other configurations also available on request

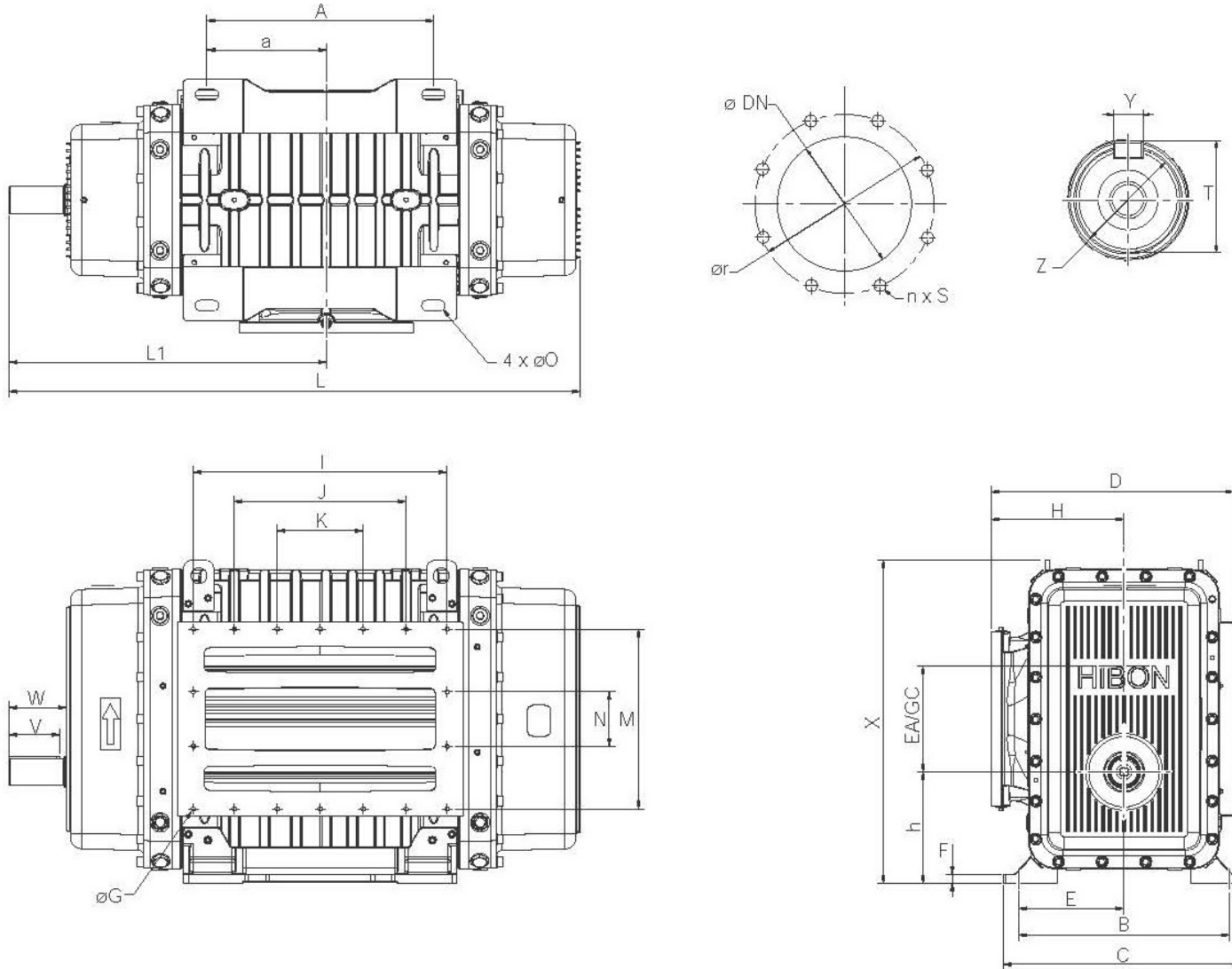
VTB 840.XL Blower Dimensions: Horizontal Orientation



VTB 840.XL Dimensions – Horizontal Orientation

A	a	B	C	D	E	F	GC/EA	G	h	i	J	K	L	L1
14.76	8.56	23.62	26.26	18.11	7.54	0.83	5.54	16 x M12	10.63	-	16.69	8.35	45.63	25.98
M	N	ØO	Ør	n x S	T	ØDN	V	W	X	Y	ØZ*	Fitting tolerance range: m6		
15.16	7.56	1.06	13.78/15.75	24 x M20	2.56	9.84	4.13	4.92	19.68	0.71	2.56			

VTB 840.XL Blower Dimensions: Vertical Orientation



VTB 840.XL Dimensions – Vertical Orientation

A	a	B	C	D	E	F	GC/EA	G	H	h	I	J	K	L
14.76	8.56	18.11	20.87	18.11	9.06	0.91	8.54	16 x M12	9.06	9.25	-	16.69	8.35	45.63
L1	M	N	ØO	Ør	n x S	T	ØDN	V	W	X	Y	ØZ	Fitting tolerance range: m6	
25.98	15.16	7.56	1.06	13.78/15.75	24 x M20	2.72	9.84	4.13	4.92	26.81	0.71	2.56		



VTB.XL Series Air injection Vacuum Blower

Better by design

With over 100 years of experience, Hibon is a market leader with a world-class range of air blowers and vacuum equipment used to provide air/gas volumes for pressure and vacuum applications.

Continuous research and development of the **hibon** Product range has led to the introduction of the new **VTB.XL** Series Air Injection blowers.

Their new design incorporates the benefits of improved assembly, lifetime reliability, better performance and interchangeability with the previous range, as well as smaller blower units.

Range


Blowers	Free air delivery* maxi
VTB 805.XL	1 007 m ³ /h
VTB 807.XL	1 570 m ³ /h
VTB 810.XL	1 901 m ³ /h
VTB 820.XL	2 822 m ³ /h
VTB 822.XL	4 635 m ³ /h
VTB 840.XL	6 492 m ³ /h
VTB 8602.XL	7 800 m ³ /h
VTB 8702.XL	9 690 m ³ /h
VTB 8902.XL	11 400 m ³ /h

* At maximum speed.

Vacuum up to 95%

Pressure up to 1 bar g. ; To 1.2 bar g. from VTB 840.XL

Features

Rotors: Three-Lobe Rotors with a one-piece, integral lobe and shaft design for improved quality and reliability. Available in **ATEX** on request.  **II 2/2 G/D c, II BT3, 160° C X**

Gears: Helical gears located on the opposite drive side.

Bearings: Four sized bearings for lifetime reliability.

Oil reservoir: Large oil reservoir for improved bearing lubrication.

Oil thrower: Oil thrower and oil passages for good bearing lubrication and long life.

Seals: For air : An innovative and unique design that includes 4 piston rings and a shield. **For an oil free operation :** Dynamic shaft seals arrangement with deflector.

Shaft seals: Innovative dynamic shaft seals arrangement.

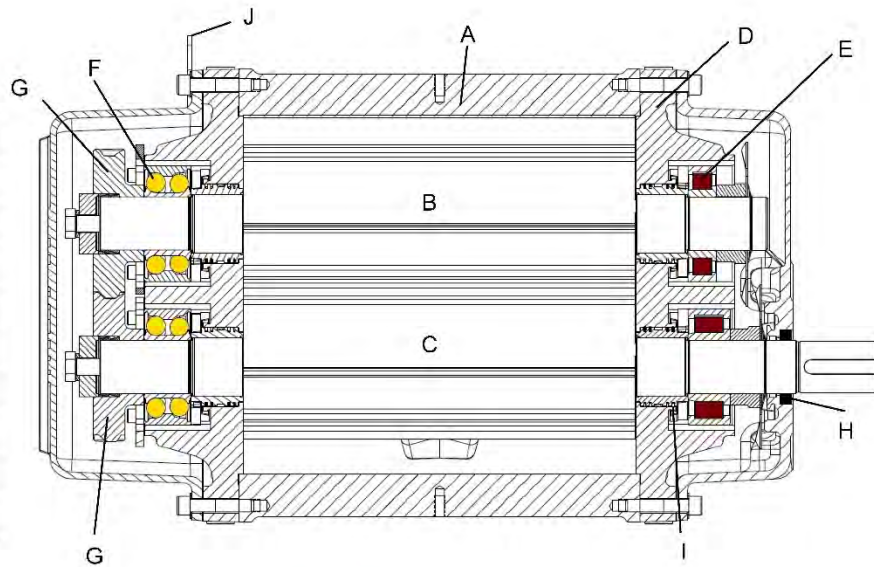


Cleaner
Lower running costs
Maintenance free



Part Description

A	Housing
B	Driven Rotor
C	Drive Rotor
D	Head Plate
E	Roller bearings
F	Boll bearings
G	Gears
H	SCP ring
I	Piston ring seals
J	Lifting lugs



Benefits

- No oil or water cooling system
- High mechanical and volumetric efficiency
- Lifetime reliability
- 100% oil free air
- Blowers without maintenance for 40,000 hours (except oil each year).
- Interchangeability with the previous range (except VTB822.XL)
- Lifting lugs
- Option: Mounting feet

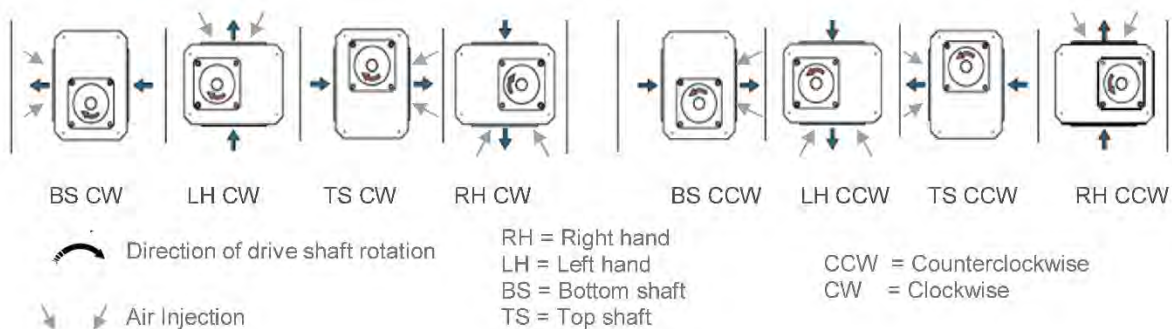
Applications

Hibon® VTB.XL series are the only dry positive displacement blowers able to reach 95% vacuum. The special design of this «Environmentally green pump» eliminates water cooling, heat exchangers, oil consumption and effluent.

Typical applications are :

- Mobile waste handling units, industrial, municipal wet and dry.
- Pneumatic conveying (fly ash, chemicals pharmaceuticals product...).
- Central vacuum systems (packaging, envelope manufacturing...)

Configurations



Performances

** For intermittent use only. (15 min / hour)

VTB 840.XL

RPM	Volume displacement	50% Vacuum		60% Vacuum		70% Vacuum		80% Vacuum		90% Vacuum	
	m ³ /h	m ³ /h	kW	m ³ /h	kW	m ³ /h	kW	m ³ /h	kW	m ³ /h	kW
1200	3116	2418	47	2185	56	1797	65	1068	75	-	-
1400	3635	2956	55	2729	66	2351	76	1640	87	-	-
1600	4155	3493	63	3273	75	2904	87	2213	100	572	112
1800	4674	4031	71	3816	84	3458	98	2786	112	1190	126
2000	5193	4568	79	4360	94	4012	109	3359	124	1808	140
2200	5713	5106	86	4903	103	4566	120	3931	137	2426	154
2400	6232	5643	94	5447	113	5119	131	4504	149	3044	168
2500	6492	5912	98	5719	117	5396	136	4790	156	3352	175



Authorized Hibon Distributor, Service & Repair Facility

120 – 10293 276 ST, Acheson, Alberta, Canada T7X 6A5

T: 780.962.1827 F: 780.962.1830 E: sales@fraserwoods.ca

www.fraserwoods.ca