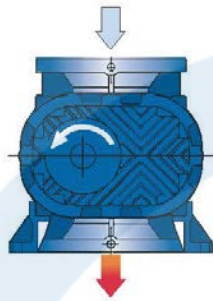
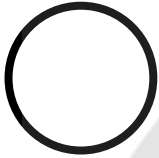


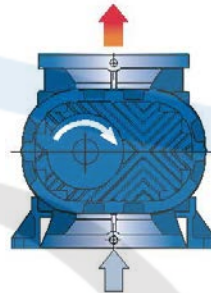
Download PDF, select blower configuration and send via email by clicking the submit button.

**LSCCW**  
Left Shaft  
Counterclockwise

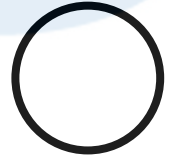


Ⓐ

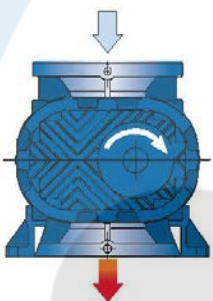
Ⓑ



**LSCW**  
Left Shaft  
Clockwise

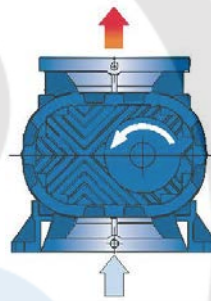


**RSCW**  
Right Shaft  
Clockwise



Ⓒ

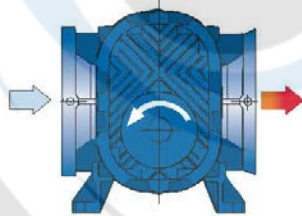
Ⓓ



**RSCCW**  
Right Shaft  
Counterclockwise



**BSCCW**  
Bottom Shaft  
Counterclockwise

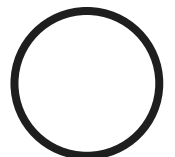


Ⓔ

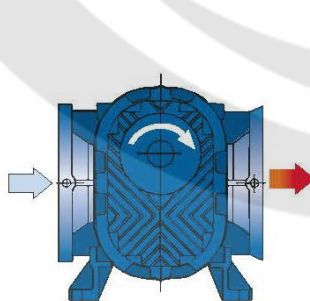
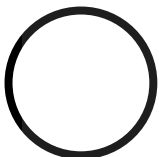
Ⓕ



**BSCW**  
Bottom Shaft  
Clockwise



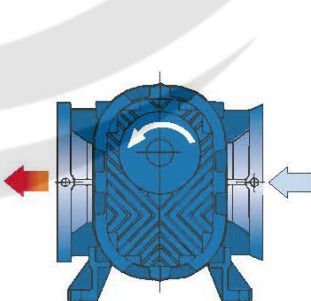
**TSCW**  
Top Shaft  
Clockwise



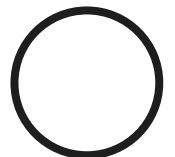
Ⓖ

Ⓖ

Discharge  
Suction



**TSCCW**  
Top Shaft  
Counterclockwise



BLOWER S/N:

COMPANY:

APPROVED BY:

DATE: